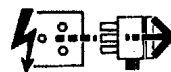


Disconnect from mains supply before replacing the fuse or the lamp.
 Vor dem Einsetzen der Sicherung oder der Lampe Spannungsfreiheit herstellen.
Débrancher le secteur avant de remplacer le fusible ou l'ampoule.
 Desconectar del suministro de la red, antes de realizar la sustitución del fusible o de la lámpara.
Voor het vervangen van lamp of zekering, eerst netspanning uitschakelen.
 Koppla bort spänningen före byte av en säkring eller en lampa.



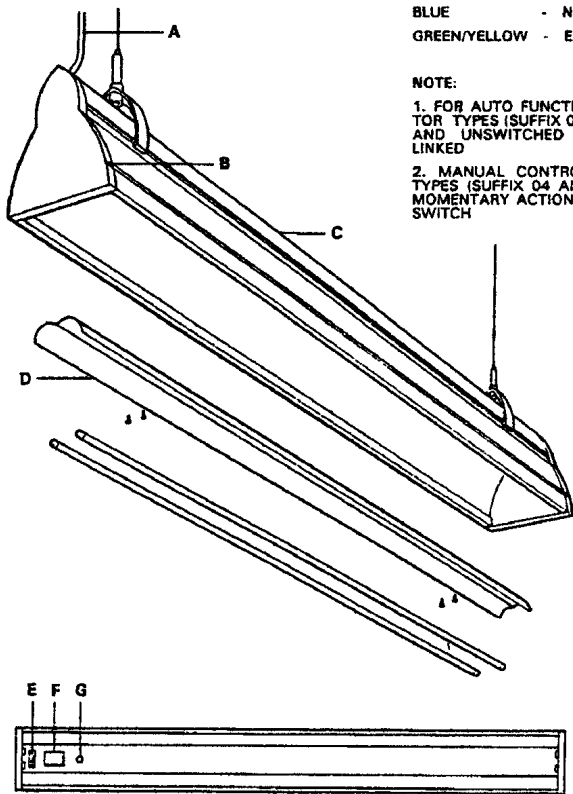
Switch off
 Abschalten
 Débrancher
 Desconectar
 Utschakelen
 Stäng av

WIRING CONNECTIONS

- BROWN - SWITCHED LIVE
- BLACK - UNSWITCHED LIVE
- BLUE - NEUTRAL
- GREEN/YELLOW - EARTH

NOTE:

1. FOR AUTO FUNCTION OF PIR DETECTOR TYPES (SUFFIX 08 & 10), SWITCHED AND UNSWITCHED LEADS MAY BE LINKED
2. MANUAL CONTROL OF DIMMABLE TYPES (SUFFIX 04 AND 06) REQUIRE A MOMENTARY ACTION - PUSH TO MAKE SWITCH



This luminaire is suitable for interior ceiling mounting and is designed for maintained emergency operation with a duration of 3 hours.

Installation should be carried out by a suitably qualified person in accordance with good electrical practice and the appropriate national wiring regulations.

Switch off mains electrical supply before commencing installation.

INSTALLATION PROCEDURE

Check that rating marked on label (E) conforms with mains electrical supply.

Refer to appropriate Installation Leaflet:-

- 0165-5634 YOKE/SUSPENSION WIRE
- 0165-5635 SURFACE MOUNTED YOKE
- 0165-5636 G TRACK MOUNTING

Connect leads of unit supply cable (A) to mains supply.

Remove lamp/s and reflector (D) (if applicable).

Enter commission date on label (F).

Replace reflector (if applicable) and lamp/s.

Unit is protected by 3A fuse (G). To access fuse remove lamp/s and reflector (D) (if applicable).

TESTING

Switch on mains supply and check that charge indicator lamp (B) is on.

Leave luminaire on continuous charge for 24 hours.

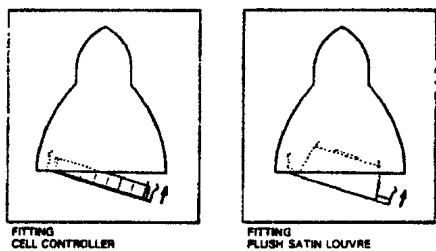
Simulate mains failure, and check that lamp (B) operates for 3 hours. If full duration of 3 hours is not achieved, repeat charge/discharge cycle as battery packs may have discharged in stock and will require conditioning.

WARNING:

1. UNIT MUST BE EARTHED
2. DO NOT INSULATION TEST HIGH FREQUENCY UNITS

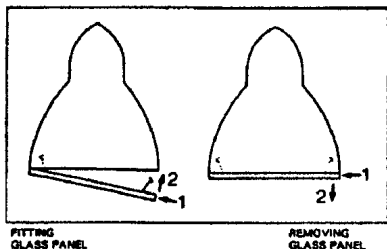
NOTES:

1. REPLACEMENT LAMPS - USE ONLY HIGH EFFICIENCY T5 LAMPS
2. THIS UNIT SHOULD BE CLEANED BY USING WARM SOAPY WATER AND A SOFT CLOTH - ENSURE UNIT IS SWITCHED OFF DURING CLEANING
3. DISPOSE OF LAMPS IN ACCORDANCE WITH LAMP MANUFACTURER'S INSTRUCTIONS



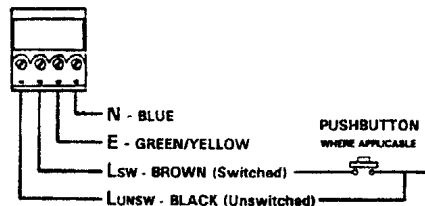
FITTING CELL CONTROLLER

FITTING FLUSH SATIN LOUVRE



FITTING GLASS PANEL

REMOVING GLASS PANEL



1. Unit requires an unswitched live supply to Luns.
2. Lamp ballast and emergency module are connected to unswitched live supply.
3. For switching on/off and dimming connect a switched live supply to Lsw.
4. Control switch MUST be a momentary action pushbutton switch. A continuous make action toggle switch is NOT suitable.

NOTE: Pushbutton applies to switch dim types only.

Suitable for use indoors
 Geeignet für innenanwendung
 Pour un usage interne

Adecuada para uso en interiores
 Geschikt voor gebruik binnen
 Lämplig för inomhusbruk

This Electrical Product MUST be recycled.

