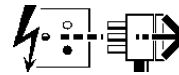
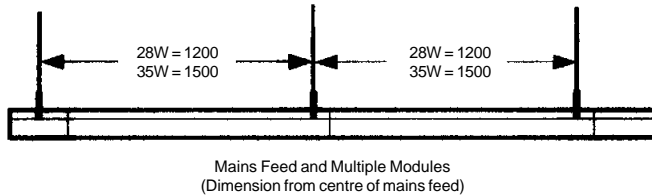
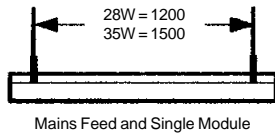


Disconnect from mains supply before replacing the fuse or the lamp.
 Vor dem Einsetzen der Sicherung oder der Lampe Spannungsfreiheit herstellen.
Débrancher le secteur avant de remplacer le fusible ou l'ampoule.
 Desconectar del suministro de la red, antes de realizar la sustitución del fusible o de la lámpara.
Voor het vervangen van lamp of zekering, eerst netspanning uitschakelen.
 Koppla bort spänningen före byte av en säkring eller en lampa.



Switch Off
 Abschalten
Débrancher
 Desconectar
Uitschakelen
 Stäng av

Fixing Centres (mm)

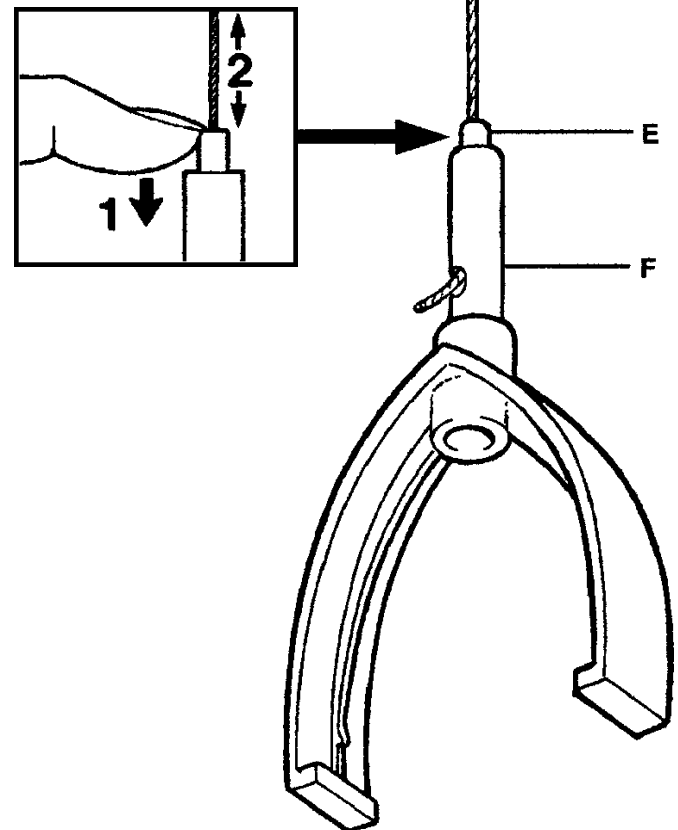
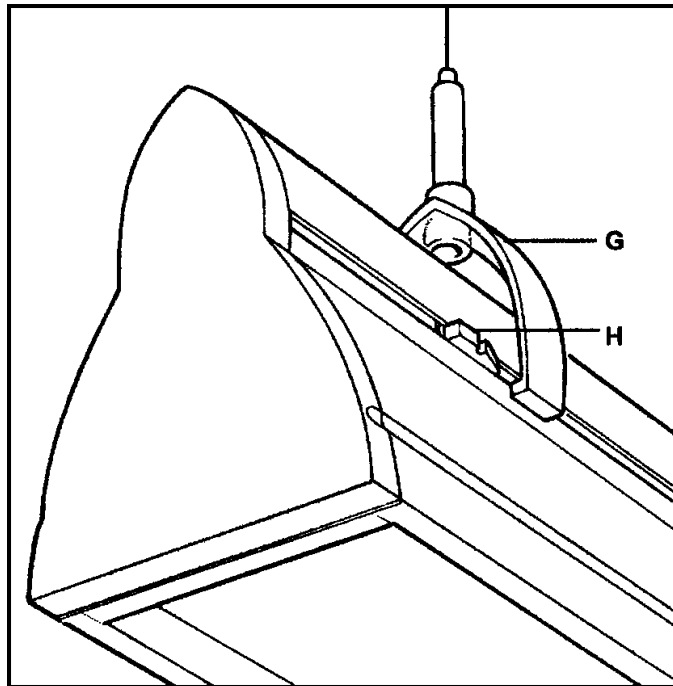
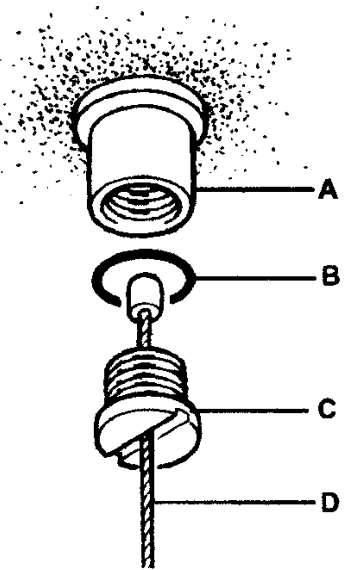


Use this leaflet in conjunction with Installation Instruction leaflet supplied with luminaire.

NOTES

Use suitable mounting surface fixings for a maximum unit weight of 8Kg.

Ensure all unit suspension devices are secure.



Installation Procedure

Secure bosses (A) to mounting surface using suitable fixings. See diagram for suggested fixing centres.

Pass suspension cables (D) through cable retainers (C), ensure seals (B) are in position on retainers and screw retainers in bosses.

Pass suspension cables (C) through yoke collets (E).

Hold yoke (G) and locate sliding unit retaining lugs (H) in yoke and slide lugs to clip yoke in position.
 NOTE: Yokes can be fitted on unit before suspending.

Support unit and adjust unit suspension height by depressing yoke collet buttons as shown.

Ensure unit is level and remove excess suspension.

Suitable for use indoors
 Geeignet für Innenanwendung
Pour un usage interne
 Adecuada para uso en interiores
Geschikt voor gebruik binnen
 Lämplig för inomhusbruk



Replace any cracked protective shield.

Dieses symbol bedeutet, dass defekte Schutzgläser sofort ersetzt werden müssen.
Ce symbole indique que vous devez remplacer tout verre de protection fêlé.

Este símbolo indica que hay que reemplazar filtros en caso de rotura o desperfectos.



Dette symbolet indikerer at alle ødelagte (sprukne) sikkerhetsglass må skiftes.

Valaisinta ei saa käyttää ilman suojalasia vioitunut suojalasi on vaihdettava uuteen ennen valaisimen käyttöön ottoa.

< Millimetres >



This Electrical Product **MUST** be recycled.



01.08