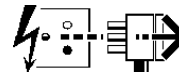
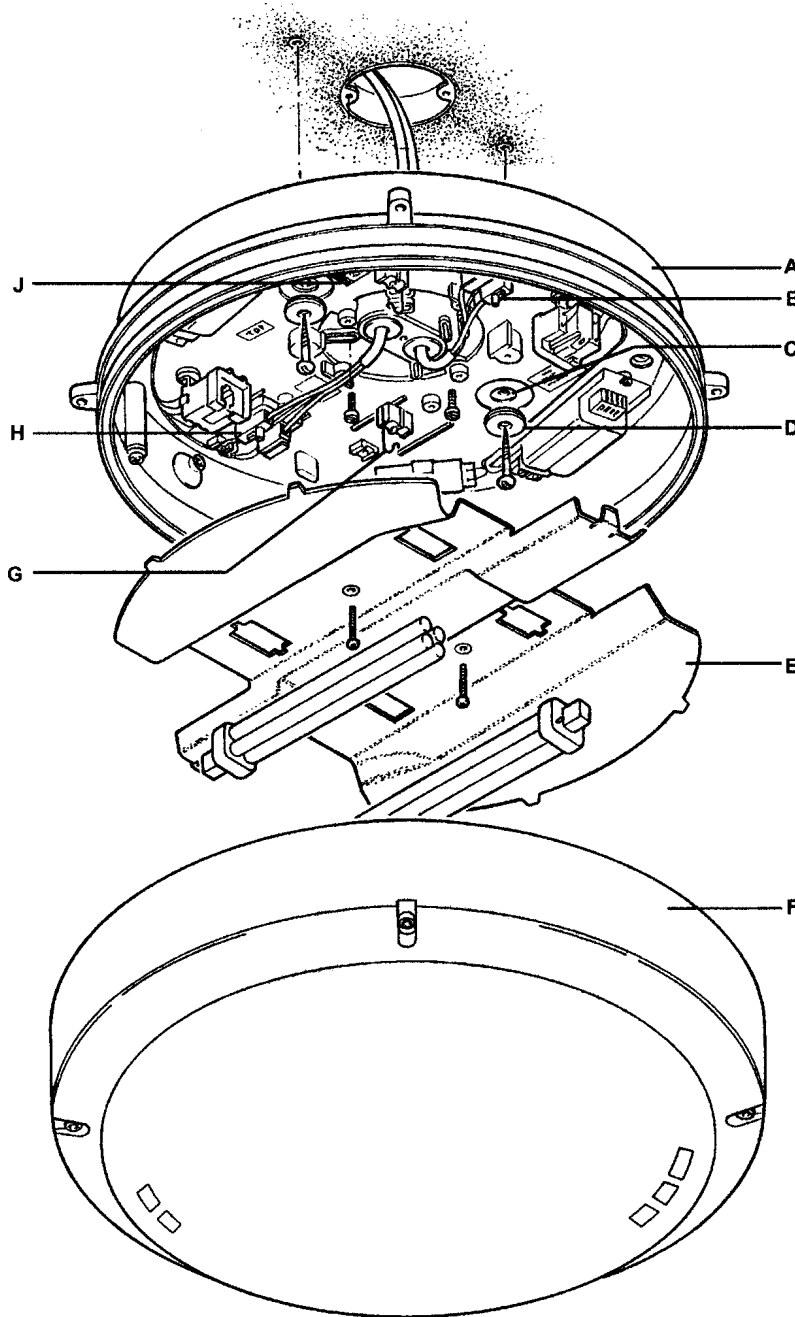


4056920 4056921 4058782 4058783 4058784
 4058785 4058786 4058787 4058788 4058789
 4058790 4058791 4058792 4058793 4058794
 4058795 4058796 4058797 4058798 4058799
 4058800 4058849 4058850 4058851 4058852
 4058853 4058854 4058855 4058856 4058857
 4058858 4058859 4058860 4058861 4058862
 4058863 4058864

Disconnect from mains supply before replacing the fuse or the lamp.
 Vor dem Einsetzen der Sicherung oder der Lampe Spannungsfreiheit herstellen.
Débrancher le secteur avant de remplacer le fusible ou l'ampoule.
 Desconectar del suministro de la red, antes de realizar la sustitución del fusible o de la lámpara.
Voor het vervangen van lamp of zekering, eerst netspanning uitschakelen.
 Koppla bort spänningen före byte av en säkring eller en lampa.



Switch Off
 Abschalten
Débrancher
 Desconectar
Uitschakelen
 Stäng av



Checklist

- 2 x Seal Washers
- 1 x Conduit Box Gasket
- 4 x Silicone Sleeving

Installation Procedure

Prepare suitable fixings in mounting surface for outrigger holes (C).
 NOTE: Housing (A) is marked 'TOP' if wall mounting.

Remove trim/diffuser assembly (F) from housing (A).

NOTE: Using a 4mm socket key, partially undo each screw in turn, repeat procedure until all screws are free.

Remove gear cover (E).

Check rating marked on label (J) conforms with mains electrical supply.

Drill 5mm clearance holes in housing for outrigger and M4 clearance holes for conduit box screws.

Pierce a grommet and feed supply cable into housing.

Secure housing (A) to conduit box if applicable using M4 screws. Use suitable screws with supplied seal washers (D) for outrigger fixing. NOTE: Sealing face of washer to face housing.

Cover supply cable leads with supplied silicone sleeving and connect in fused terminal blocks (B) and (H).

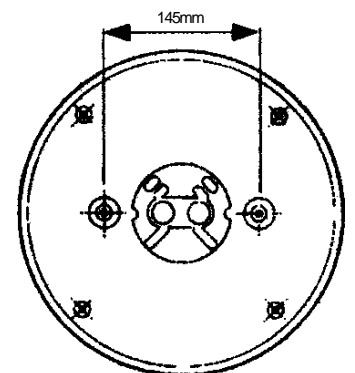
Push cable back into grommet (Fig.2).

Fit gear cover (E).

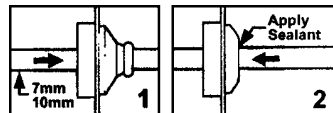
Fit appropriate lamps as indicated on label (J).

18W TYPES ONLY - Ensure lamps are retained by clips (G).

Secure trim/diffuser assembly (F) to housing assembly (F) using 4mm socket key.



WARNING: To ensure IP65 rating, waterproof silicone adhesive must be applied around all grommet cable entries and under heads of fixing screws



Suitable for use indoors
 Geeignet für Innenanwendung
Pour un usage interne
 Adecuada para uso en interiores
Geschikt voor gebruik binnen
 Lämplig för inomhusbruk



Replace any cracked protective shield.

Dieses symbol bedeutet, dass defekte Schutzgläser sofort ersetzt werden müssen.

Ce symbole indique que vous devez remplacer tout verre de protection fêlé.

Este simbolo indica que hay que reemplazar filtros en caso de rotura o desperfectos.



Dette symbolet indikerer at alle ødelagte (sprukne) sikkerhetsglass må skiftes.

Valaisinta ei saa käyttää ilman suojalasiasa vioitunut suojalasi on vaihdettava uuteen ennen valaisimen käyttöön ottoa.

< Millimetres >



This Electrical Product MUST be recycled.



02.08