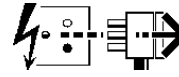
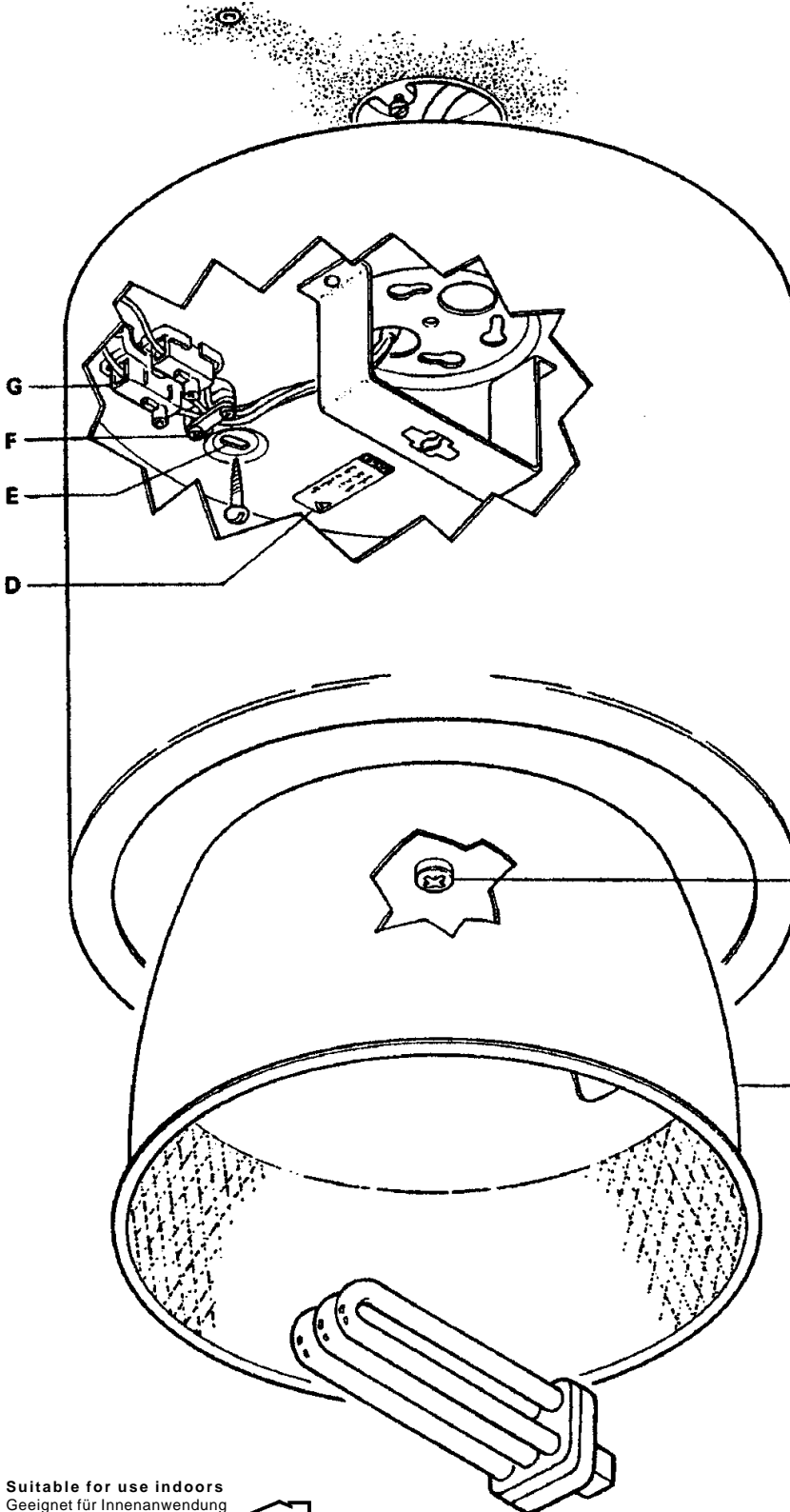


Disconnect from mains supply before replacing the fuse or the lamp.
Vor dem Einsetzen der Sicherung oder der Lampe Spannungsfreiheit herstellen.
Débrancher le secteur avant de remplacer le fusible ou l'ampoule.
Desconectar del suministro de la red, antes de realizar la sustitución del fusible o de la lámpara.
Voor het vervangen van lamp of zekering, eerst netspanning uitschakelen.
Koppla bort spänningen före byte av en säkring eller en lampa.



Switch Off
Abschalten
Débrancher
Desconectar
Uitschakelen
Stäng av



This luminaire is suitable for interior ceiling mounting to a flush mounted conduit box, having 50.8mm fixing centres or directly to mounting surface.

Installation should be carried out by a suitably qualified person in accordance with good electrical practise and the appropriate national wiring regulations.

Switch off mains electrical supply before commencing installation.

Installation Procedure

Rotate the quarter turn reflector fastener (B) 90 degrees to release reflector from housing (A).

Check rating marked on label (D) conforms with mains electrical supply.

Partially screw suitable M4 screws in conduit box lugs or prepare suitable fixings in mounting surface at 185mm centres if using outrigger holes (E).

Feed mains supply cable/leads through hole in gallery.

A Locate gallery keyhole slots over conduit box screw heads, rotate gallery and tighten screws, or secure gallery to mounting surface using suitable round headed screws through outrigger holes (E).

Cover any single insulated supply leads with supplied sleeving.

Connect mains supply leads in respectively marked terminals in terminal block (G).
 NOTE: Ensure cable/leads are secured in cable clamp (F).

Place reflector (C) in housing, align cut-out for lamp with lampholder and firmly push reflector fastener (B) until reflector flange locates on housing.
 NOTE: An audible 'click' should be heard or felt when the fastener is fully engaged.

Fit appropriate lamp as indicated on label (D).

WARNING: Luminaire must be earthed.

NOTE: This luminaire should be cleaned by using warm soapy water and a soft cloth - ensure luminaire is switched off during cleaning.

C Dispose of lamps in accordance with manufacturers instructions.

Suitable for use indoors
 Geeignet für Innenanwendung
 Pour un usage interne
 Adecuada para uso en interiores
 Geschikt voor gebruik binnen
 Lämplig för inomhusbruk



Replace any cracked protective shield.

Dieses symbol bedeutet, dass defekte Schutzgläser sofort ersetzt werden müssen.

Ce symbole indique que vous devez remplacer tout verre de protection fêlé.

Este simbolo indica que hay que reemplazar filtros en caso de rotura o desperfectos.

Dette symbolet indikerer at alle ødelagte (sprukne) sikkerhetsglass må skiftes.

Valaisinta ei saa käyttää ilman suojalasiasa vioittunut suojalasi on vaihdettava uuteen ennen valaisimen käyttöön ottoa.

< Millimetres >



This Electrical Product
 MUST be recycled.



01.08

Concord