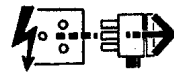




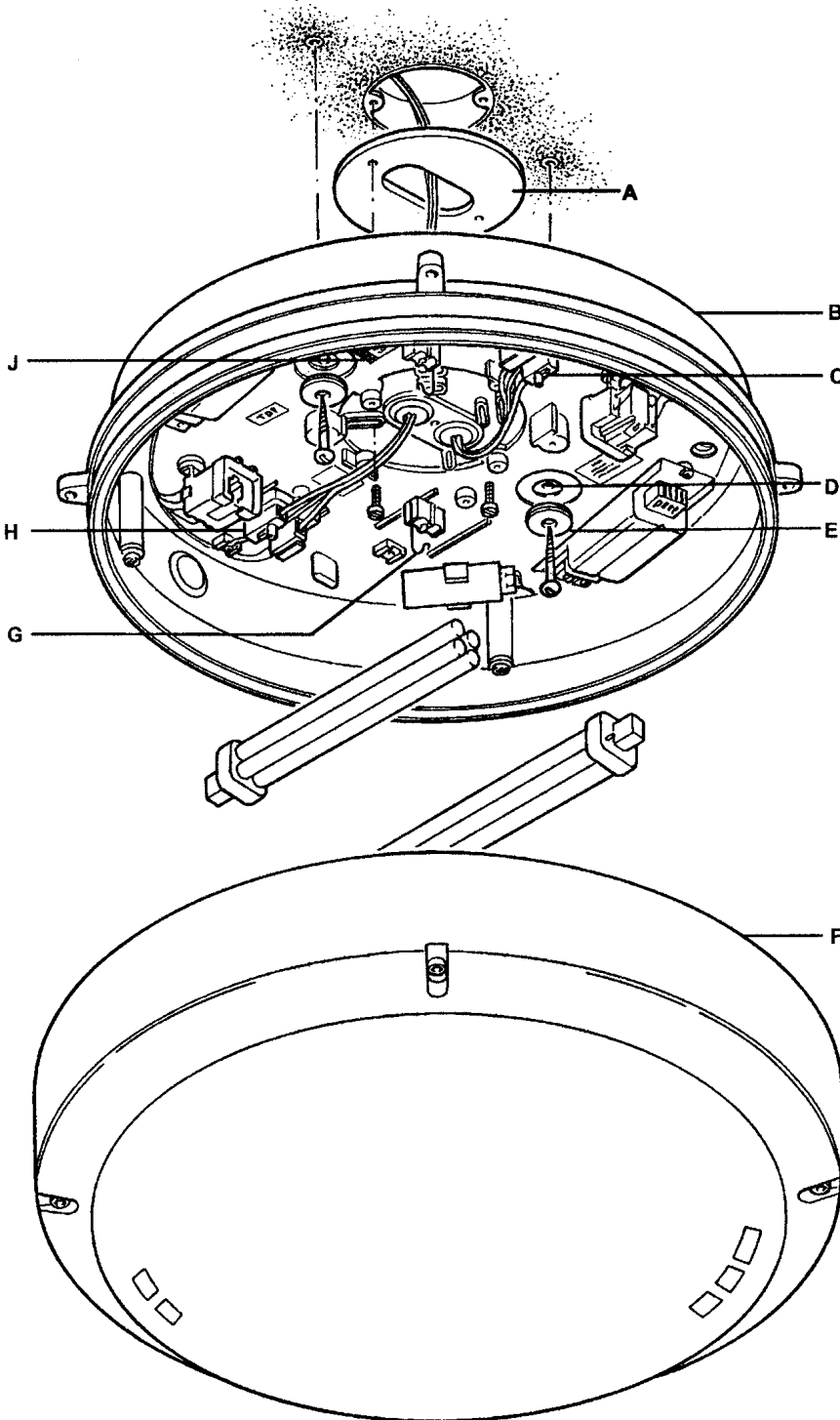
4060378	4060386	4060394
4060379	4060387	4060395
4060380	4060388	4060396
4060381	4060389	4060397
4060382	4060390	4060398
4060383	4060391	4060399
4060384	4060392	4060400
4060385	4060393	4060401

Disconnect from mains supply before replacing the fuse or the lamp.
 Vor dem Einsetzen der Sicherung oder der Lampe Spannungsfreiheit herstellen.
Débrancher le secteur avant de remplacer le fusible ou l'ampoule.
 Desconectar del suministro de la red, antes de realizar la sustitución del fusible o de la lámpara.
Voor het vervangen van lamp of zekering, eerst netspanning uitschakelen.
 Koppla bort spänningen före byte av en säkring eller en lampa.



Switch off
 Abschalten
Débrancher
 Desconectar
Uitschakelen
 Stäng av

INSTALLATION PROCEDURE + **IS500**



Prepare suitable fixings in mounting surface for outrigger holes (D).

NOTE: Housing (B) is marked **TOP** if wall mounting.

Stick self-adhesive gasket (A) on back of housing (B).

Remove trim/diffuser assembly (F) from housing (B). **NOTE:** Using a 4mm socket key, partially undo each screw in turn, repeat procedure until all screws are free.

Check rating marked on label (J) conforms with mains electrical supply.

Drill 5mm clearance holes in housing for outrigger and M4 clearance holes for conduit box screws.

Pierce grommets and feed supply leads into housing.

Secure housing (B) to conduit box if applicable using M4 screws. Use suitable screws with supplied seal washers (E) for outrigger fixing.

NOTE: Sealing face of washer to face housing.

Cover all electrical supply leads with supplied silicone sleeving and connect leads in respectively marked terminals in fused terminal blocks (C) and (H).

Fit appropriate lamps as indicated on label (J).

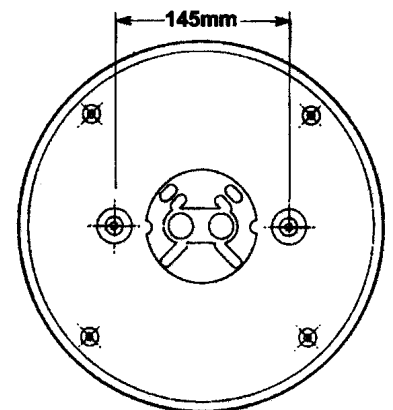
18W TYPES ONLY - Ensure lamps are retained by clips (G).

Secure trim/diffuser assembly (F) to housing (B) using 4mm socket key.

WARNING: LUMINAIRE MUST BE EARTHED

NOTE: THIS LUMINAIRE SHOULD BE CLEANED BY USING WARM SOAPY WATER AND A SOFT CLOTH - ENSURE LUMINAIRE IS SWITCHED OFF DURING CLEANING

DISPOSE OF LAMPS IN ACCORDANCE WITH LAMP MANUFACTURER S INSTRUCTIONS



Suitable for use indoors
 Geeignet für innenanwendung
 Pour un usage interne

Adecuada para uso en interiores
 Geschikt voor gebruik binnen
 Lämplig för inomhusbruk

This Electrical Product MUST be recycled.

