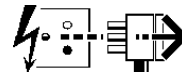
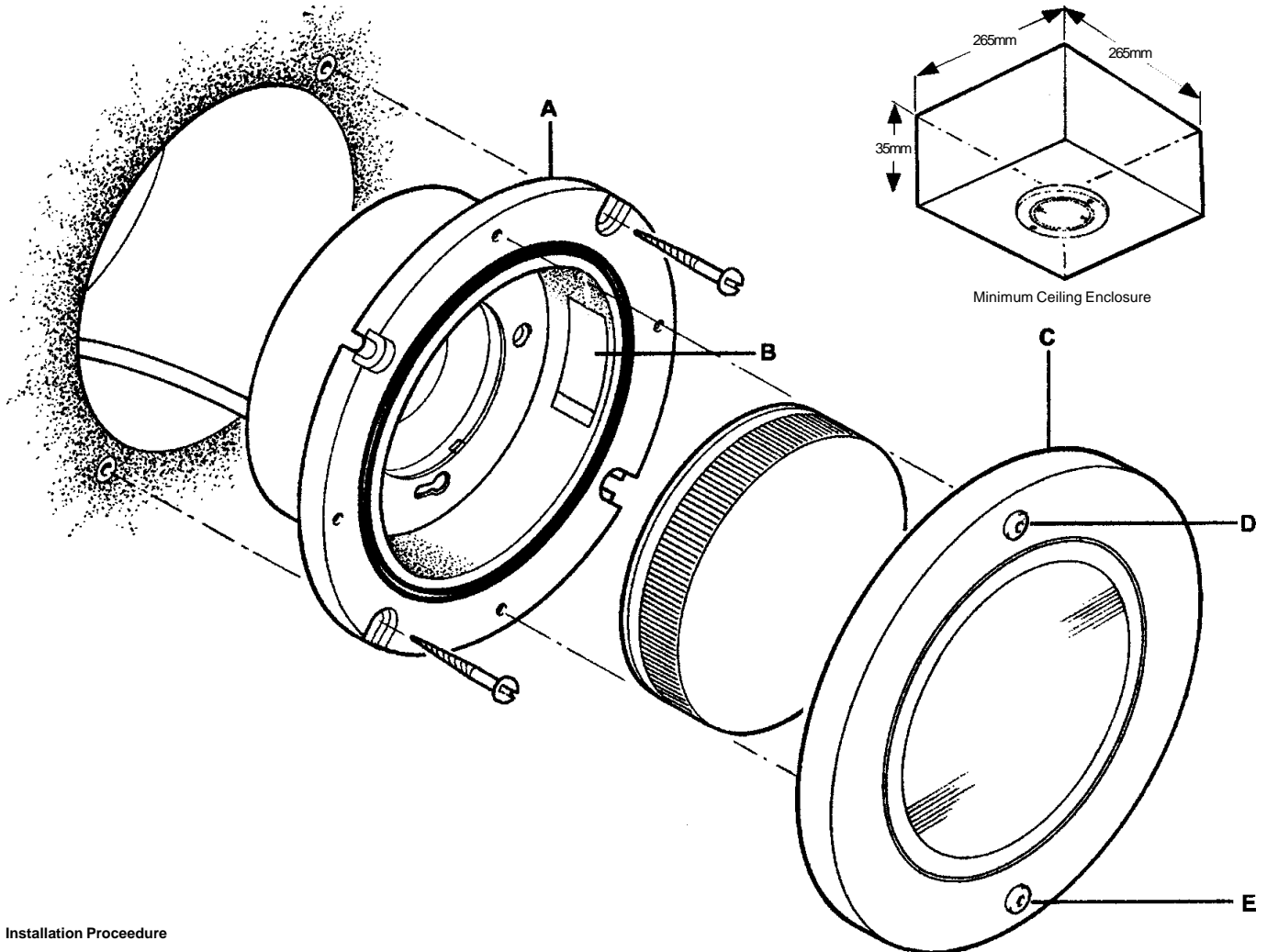


4061802 4061803 4061804 4061805 4061806
 4061807 4061808 4061809 4061810
 4061812 4061813 4061814 4061815 4061816
 4061817 4061818 4061819 4061820
 4062977 4062978 4062979 4062980 4062981
 4062982 4062983 4062984 4062985
 4062987 4062988 4062989 4062990 4062991
 4062992 4062993 4062994 4062995

Disconnect from mains supply before replacing the fuse or the lamp.
 Vor dem Einsetzen der Sicherung oder der Lampe Spannungsfreiheit herstellen.
Débrancher le secteur avant de remplacer le fusible ou l'ampoule.
 Desconectar del suministro de la red, antes de realizar la sustitución del fusible o de la lámpara.
Voor het vervangen van lamp of zekering, eerst netspanning uitschakelen.
 Koppla bort spänningen före byte av en säkring eller en lampa.



Switch Off
 Abschalten
Débrancher
 Desconectar
Uitschakelen
 Stäng av



Installation Procedure

Unscrew trim screws (D) and (E) evenly and remove trim (C).

Prepare aperture and suitable fixings in mounting surface for housing (A) as shown in diagram.

Connect bulkhead supply leads to mains electrical supply using suitable mains connector (IP65 Connector - Cat no 40611799, if applicable).

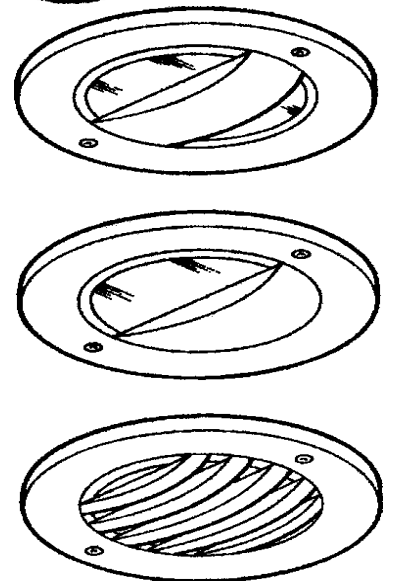
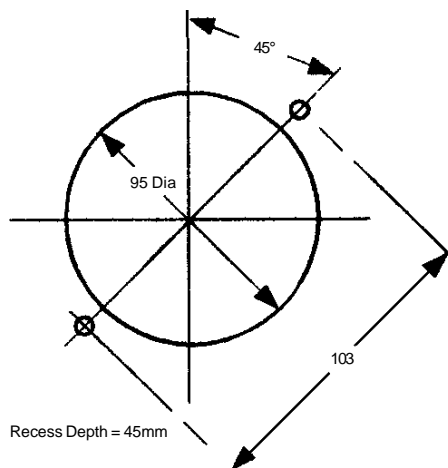
Secure housing to mounting surface using suitable fixing screws.

Fit appropriate lamp as indicated on label (B).

Secure trim (C) to housing (A) by tightening trim screws (D) and (E) evenly.

IMPORTANT: Ensure that faces of housing and trim are clean before fitting.

WARNING: Luminaire PVC cable must not be exposed to the elements.



Suitable for use indoors
 Geeignet für Innenanwendung
Pour un usage interne
 Adecuada para uso en interiores
Geschikt voor gebruik binnen
 Lämplig för inomhusbruk



Replace any cracked protective shield.

Dieses symbol bedeutet, dass defekte Schutzgläser sofort ersetzt werden müssen.

Ce symbole indique que vous devez remplacer tout verre de protection fêlé.

Este simbolo indica que hay que reemplazar filtros en caso de rotura o desperfectos.



Dette symbolet indikerer at alle ødelagte (sprukne) sikkerhetsglass må skiftes.

Valaisinta ei saa käyttää ilman suojalasiasa vioittunut suojalasi on vaihdettava uuteen ennen valaisimen käyttöön ottoa.

< Millimetres >



This Electrical Product **MUST** be recycled.



12.07