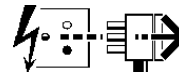


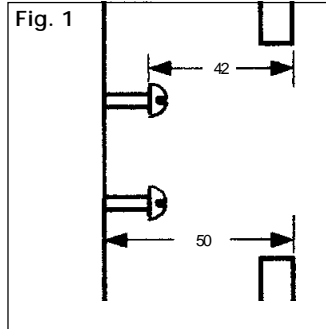
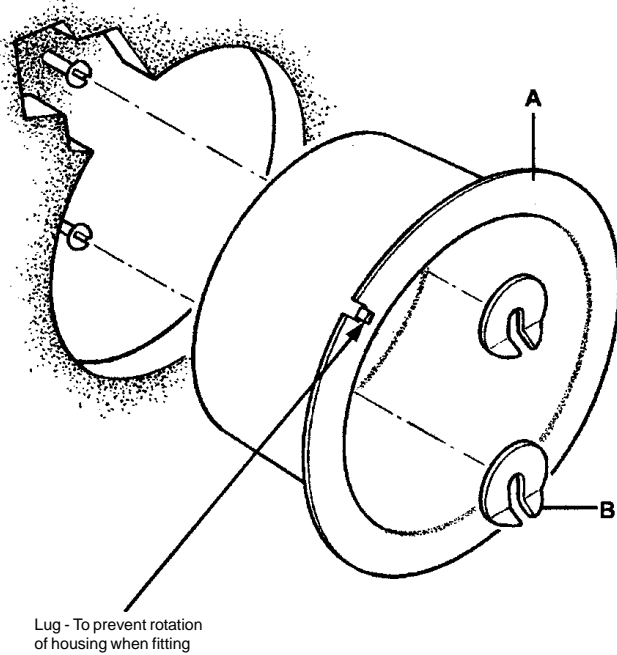
4061800  
4061821  
4061822  
4061823

**Disconnect from mains supply before replacing the fuse or the lamp.**  
Vor dem Einsetzen der Sicherung oder der Lampe Spannungsfreiheit herstellen.  
**Débrancher le secteur avant de remplacer le fusible ou l'ampoule.**  
Desconectar del suministro de la red, antes de realizar la sustitución del fusible o de la lámpara.  
**Voor het vervangen van lamp of zekering, eerst netspanning uitschakelen.**  
Koppla bort spänningen före byte av en säkring eller en lampa.



**Switch Off**  
Abschalten  
**Débrancher**  
Desconectar  
**Uitschakelen**  
Stäng av

Recessing Box



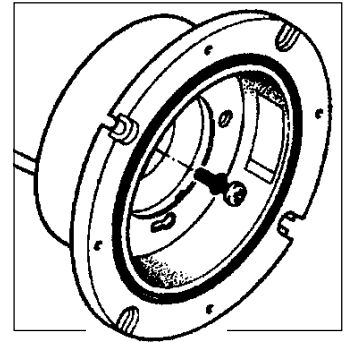
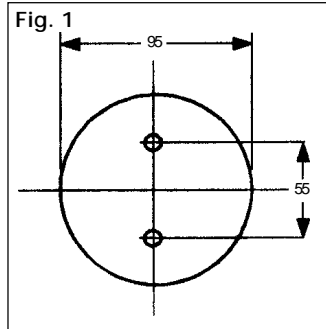
Recessing Box

Prepare aperture in mounting surface. (see Fig. 2).

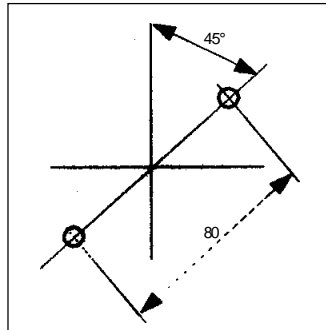
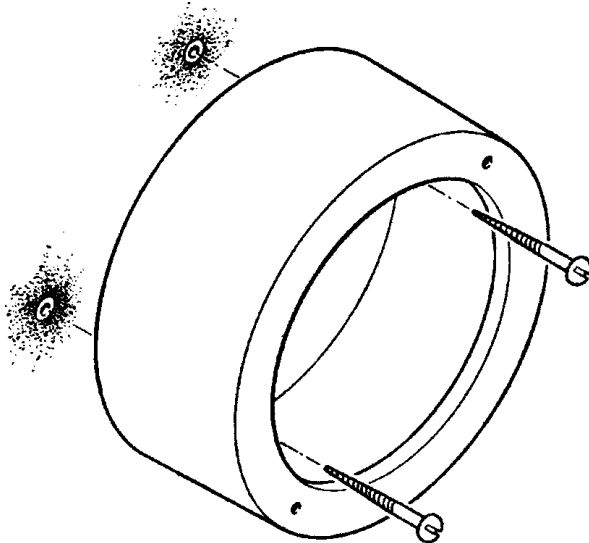
Prepare suitable fixings vertically or horizontally for recessing box (A), and screw suitable round headed screws into fixings. (see Fig. 1).

Locate recessing box over screws, insert slip washers (B) under screw heads and tighten screws.

NOTE: Drill a 4mm diameter hole in back of housing and secure.



Surface Pattress

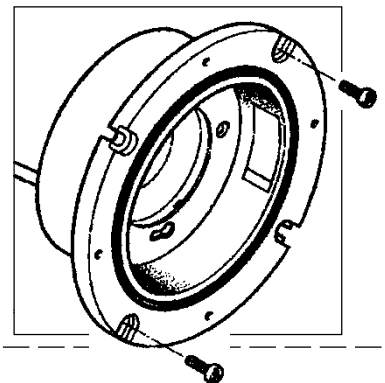


Surface Pattress

Prepare suitable fixings for surface pattress as shown in Fig. 1.

Secure pattress in position using suitable screws.

NOTE: Secure housing to pattress using supplied M4 x 10mm screws.



**Suitable for use indoors**  
Geeignet für Innenanwendung  
**Pour un usage interne**  
Adecuada para uso en interiores  
**Geschikt voor gebruik binnen**  
Lämplig för inomhusbruk



**Replace any cracked protective shield.**

Dieses symbol bedeutet, dass defekte Schutzgläser sofort ersetzt werden müssen.

**Ce symbole indique que vous devez remplacer tout verre de protection fêlé.**

Este símbolo indica que hay que reemplazar filtros en caso de rotura o desperfectos.

**Dette symbolet indikerer at alle ødelagte (sprukne) sikkerhetglass må skiftes.**

Valaisinta ei saa käyttää ilman suojalasiasa vioitunut suojalasi on vaihdettava uuteen ennen valaisimen käyttöön ottoa.

< Millimetres >



This Electrical Product  
MUST be recycled.



12.07

**Concord**

Avis Way Newhaven East Sussex BN9 0ED  
T 0870 606 2030 F 01273 512 688 email: information@concordmarlin.com



© Concord Lighting Ltd.