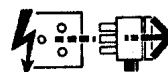


4062434 | 4062438
 4062435 | 4062439
 4062437 | 4062433

Disconnect from mains supply before replacing the fuse or the lamp.
 Vor dem Einsetzen der Sicherung oder der Lampe Spannungsfreiheit herstellen.
Débrancher le secteur avant de remplacer le fusible ou l'ampoule.
 Desconectar del suministro de la red, antes de realizar la sustitución del fusible o de la lámpara.
Voor het vervangen van lamp of zekering, eerst netspanning uitschakelen.
 Koppla bort spänningen före byte av en säkring eller en lampa.



Switch off
 Abschalten
 Débrancher
 Desconectar
 Uitschakelen
 Stäng av

This luminaire has been designed for maintained emergency operation with a duration of 3 hours.

CHECKLIST
 3 - SILICONE SLEEVING
 2 - GROMMET
 1 - TEST CARD

INSTALLATION PROCEDURE +

Remove diffuser (J) as shown in Fig.1.
 Check rating marked on label (B) conforms with mains electrical supply.
 Prepare suitable fixings in mounting surface at 160mm centres. **NOTE:** Gallery (L) is marked **TOP** if wall mounting - see Fig.3.
 Drill 5mm diameter outrigger holes (E). **NOTE:** Outrigger holes must be used in all installations.
 Enter supply connection date on label (A).
 Fit supplied grommets in gallery.
 Pierce and pass mains supply leads and unswitched live mains supply lead through grommets.

Secure gallery to mounting surface using suitable screws.
 Cover all supply leads with supplied silicone sleeving.
 Connect leads in respectively marked terminals in terminal block (G).
 Connect battery socket (C) and plug (D).
 Fit appropriate lamp as indicated on label (B) into lampholder and lamp clips (K).
 Fit diffuser (J) as shown in Fig.2.
NOTE: Luminaire is protected by 3A fuse (H).

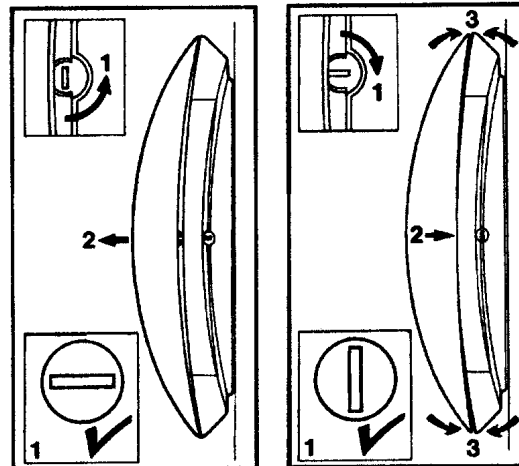
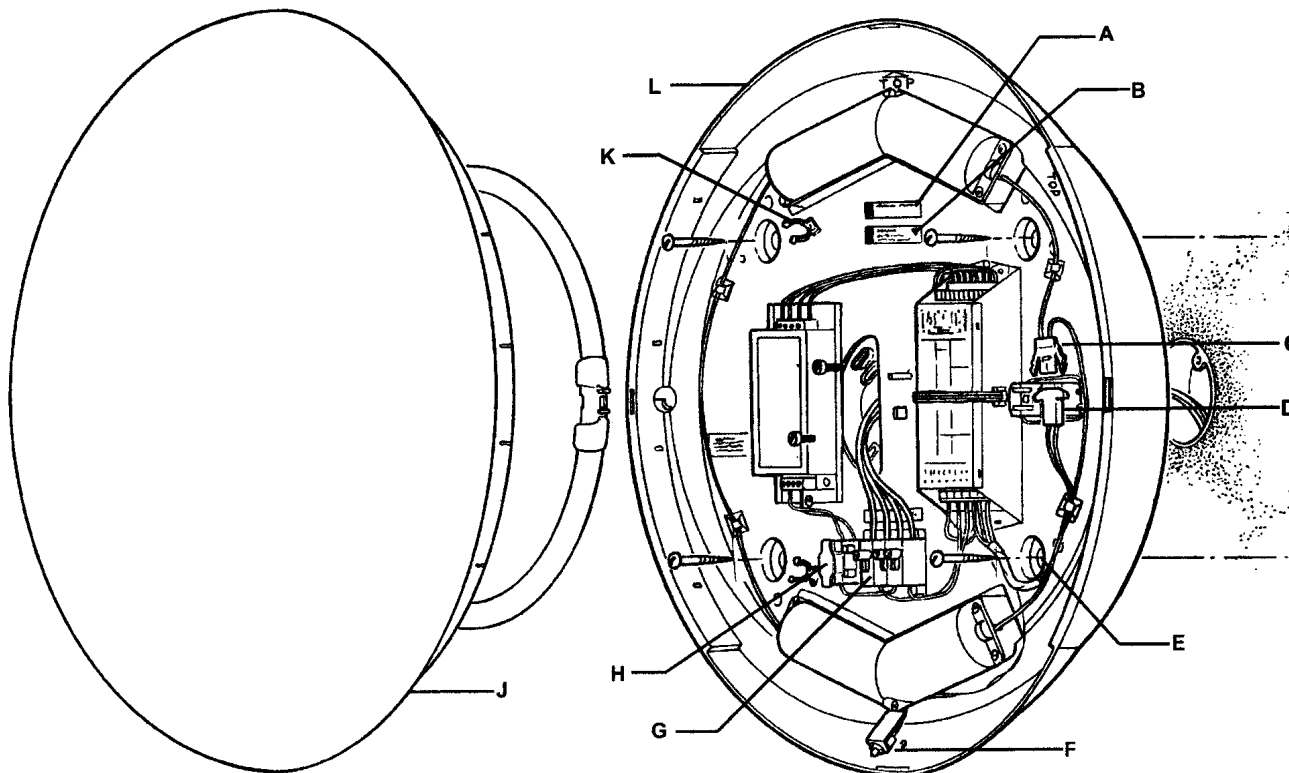
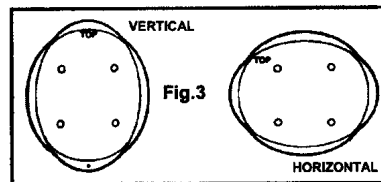


Fig.1
 TURN A CAM 90° AND REMOVE DIFFUSER

Fig.2
 TURN CAM BACK 90° AND FIT DIFFUSER

WARNING: LUMINAIRE MUST BE EARTHED
WARNING: AFTER INSTALLATION, UNSWITCHED SUPPLY MUST BE MAINTAINED. IF INTERRUPTION TO SUPPLY IS UNAVOIDABLE, THE BATTERIES MUST BE DISCONNECTED OR DAMAGE MAY RESULT



Suitable for use indoors
 Geeignet für innenanwendung
 Pour un usage interne

Adecuada para uso en interiores
 Geschikt voor gebruik binnen
 Lämpig för inomhusbruk

This Electrical Product MUST be recycled.

