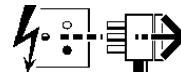
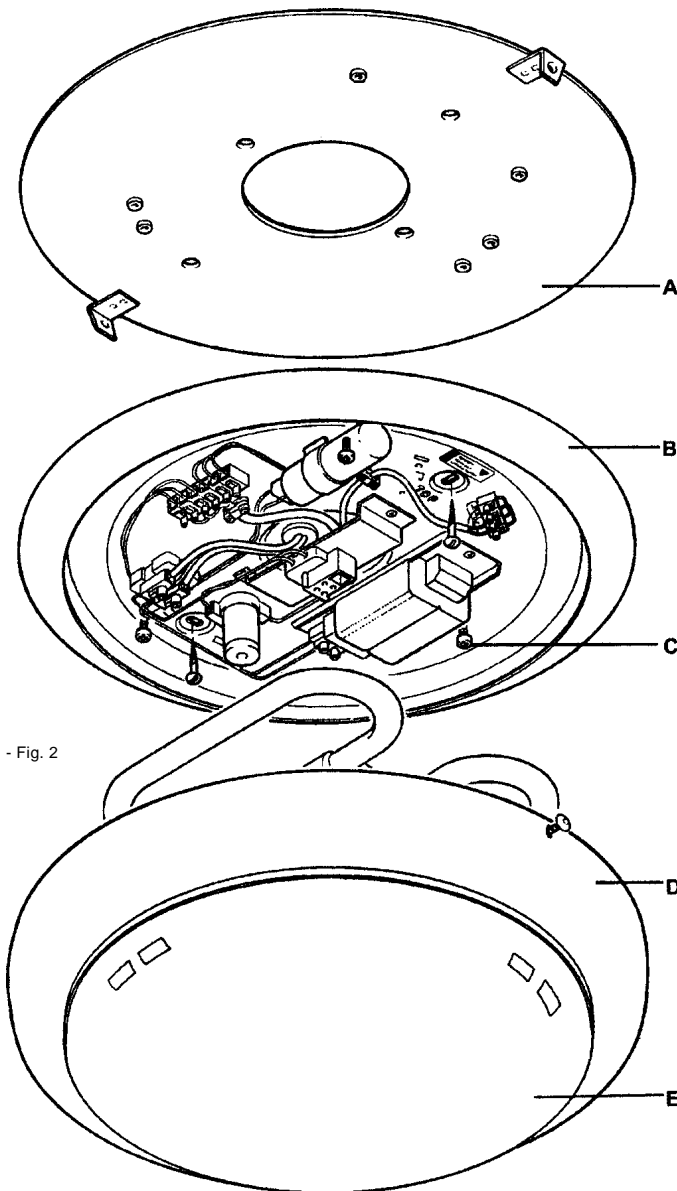


4062771 4062772 4062773 4062825
4062855 4062856 4062857 4062858

Disconnect from mains supply before replacing the fuse or the lamp.
Vor dem Einsetzen der Sicherung oder der Lampe Spannungsfreiheit herstellen.
Débrancher le secteur avant de remplacer le fusible ou l'ampoule.
Desconectar del suministro de la red, antes de realizar la sustitución del fusible o de la lámpara.
Voor het vervangen van lamp of zekering, eerst netspanning uitschakelen.
Koppla bort spänningen före byte av en säkring eller en lampa.



Switch Off
Abschalten
Débrancher
Desconectar
Uitschakelen
Stäng av



- Fig. 2

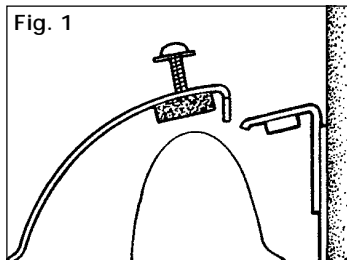


Fig. 1

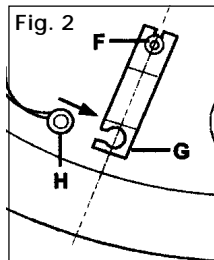


Fig. 2

Suitable for use indoors
Geeignet für Innenanwendung
Pour un usage interne
Adecuada para uso en interiores
Geschikt voor gebruik binnen
Lämplig för inomhusbruk



Replace any cracked protective shield.

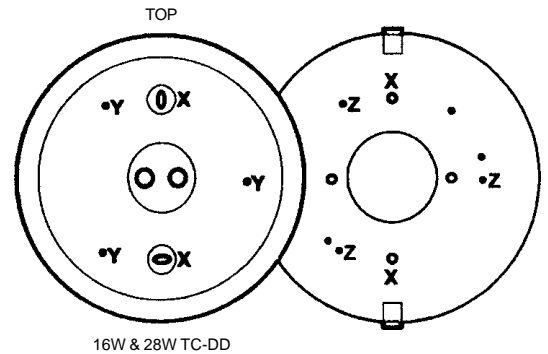
Dieses symbol bedeutet, dass defekte Schutzgläser sofort ersetzt werden müssen.

Ce symbole indique que vous devez remplacer tout verre de protection fêlé.

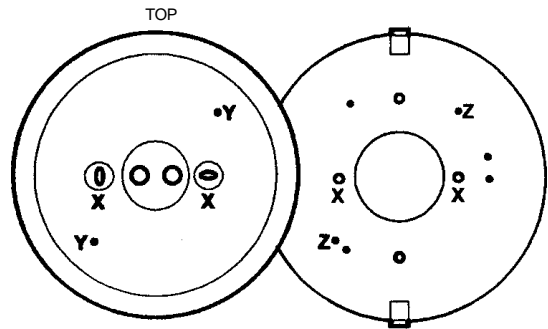
Este símbolo indica que hay que reemplazar filtros en caso de rotura o desperfectos.

Dette symbolet indikerer at alle ødelagte (sprukne) sikkerhetsglass må skiftes.

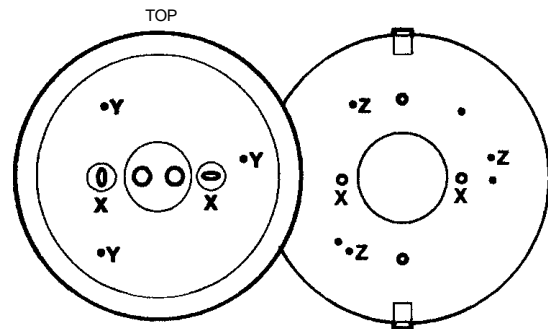
Valaisinta ei saa käyttää ilman suojalasiasa vioittunut suojalasi on vaihdettava uuteen ennen valaisimen käyttöön ottoa.



16W & 28W TC-DD



Emergency 16W TC-DD



Emergency 28W TC-DD

Installation Procedure

Remove diffuser (E) from housing (B).

Remove all diffuser retaining clips from housing.

Align holes 'X' in housing (B) and mounting plate (A) and secure through holes 'Y' with supplied screws (C) into bushes 'Z'.

Install housing/mounting plate assembly as described in Installation Instruction Leaflet supplied with luminaire.

Peel off backing paper from adhesive strips in trim (D) and locate diffuser (E) in trim.

With screws held out as shown in Fig. 1, fit trim in position over mounting plate brackets and tighten securing screws with a TX20 driver bit.

Emergency Opalines - Fig. 2

Loosen LED bracket fixing screw (F) with a 3/32" hex. key, and pull out bracket.

Slide out LED (H) from bracket and discard bracket.

Fit new bracket (G) and tighten fixing screw (F).

< Millimetres >



This Electrical Product **MUST** be recycled.



12.07