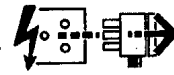
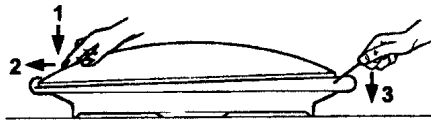


4163117

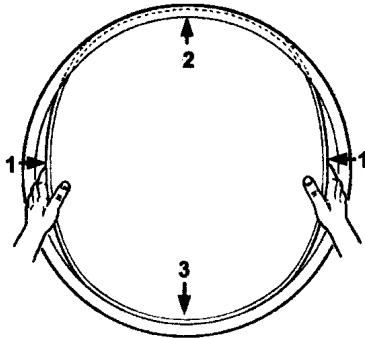
Disconnect from mains supply before replacing the fuse or the lamp.
 Vor dem Einsetzen der Sicherung oder der Lampe Spannungsfreiheit herstellen.
Débrancher le secteur avant de remplacer le fusible ou l'ampoule.
 Desconectar del suministro de la red, antes de realizar la sustitución del fusible o de la lámpara.
Voor het vervangen van lamp of zekering, eerst netspanning uitschakelen.
 Koppla bort spänningen före byte av en säkring eller en lampa.



Switch off
 Abschalten
Débrancher
 Desconectar
Uitschakelen
 Stäng av



REMOVING DIFFUSER
 1. PRESS DOWN 2. PUSH TO SIDE 3. LEVER OUT



FITTING DIFFUSER
 1. FLEX IN 2. INSERT UNDER RIM 3. CENTRALISE

This luminaire can be semi-recessed using Recessing Kit 1590ORK.

INSTALLATION PROCEDURE +

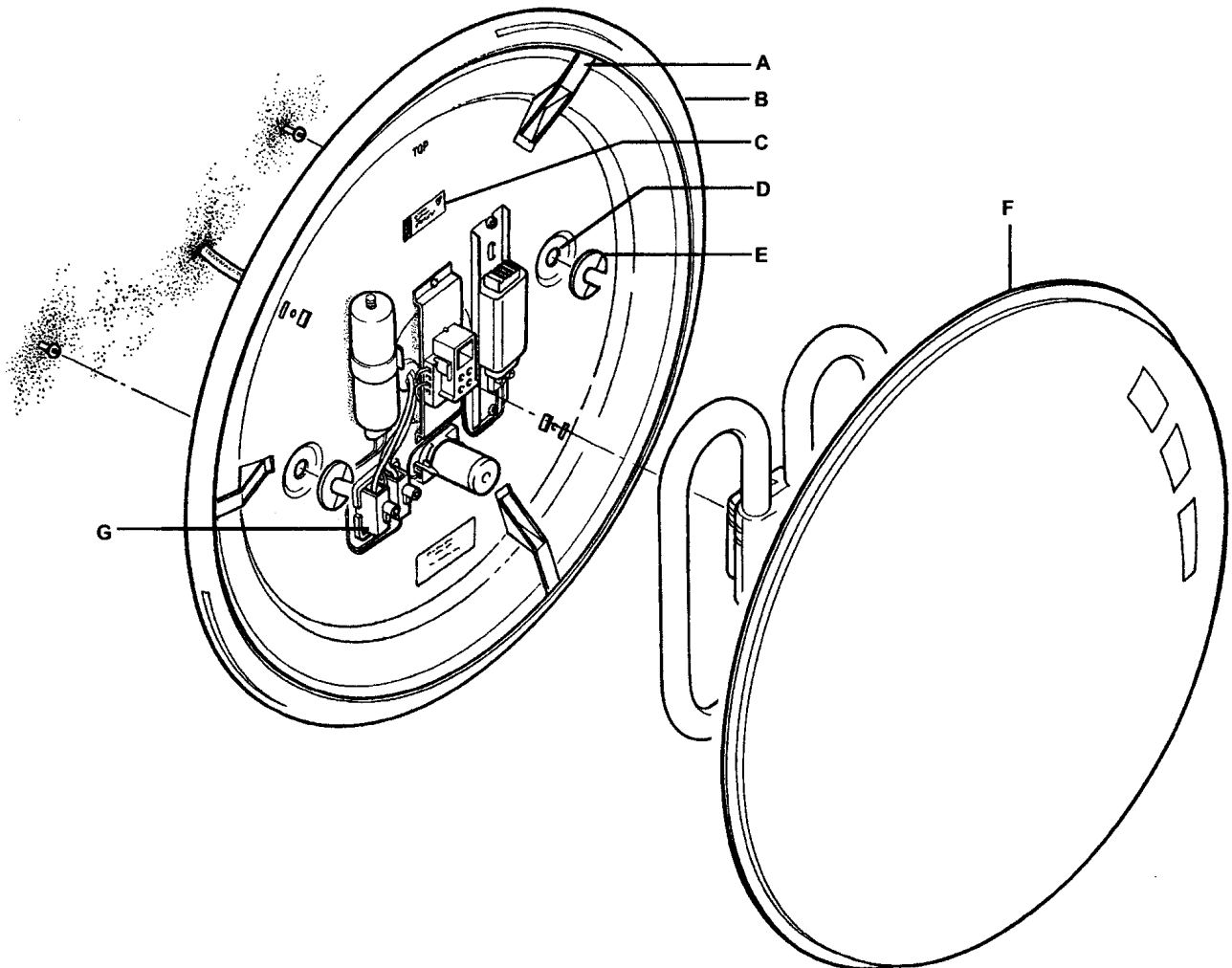
Carefully remove diffuser as shown.
 Check rating marked on label (C) conforms with mains electrical supply.
 Partially screw suitable round headed screws in mounting surface at 200mm centres. **NOTE:** Gallery (B) is marked TOP if wall mounting.
 Fit supplied grommets in gallery (B).
 Pass mains supply leads through grommet.
 Locate gallery mounting holes (D) over fixing screw heads, insert slip washers

(E) under screw heads and tighten screws.

Cover line and neutral mains supply leads with supplied silicone sleeving and connect leads in respectively marked terminals in terminal block (G).

Fit appropriate lamp as indicated on label (C) by pushing it firmly in lampholder.

Fit diffuser (F) in gallery rim as shown, ensuring it is held concentrically by retaining clips (A)



Suitable for use indoors
 Geeignet für innenanwendung
 Pour un usage interne

Adecuada para uso en interiores
 Geschikt voor gebruik binnen
 Lämpig för inomhusbruk

This Electrical Product MUST be recycled.

