

4061537	4061541	4062786
4061538	4061542	4062787
4061539	4062784	4062788
4061540	4062785	4062789

**Disconnect from mains supply before replacing the fuse or the lamp.**  
 Vor dem Einsetzen der Sicherung oder der Lampe Spannungsfreiheit herstellen.  
**Débrancher le secteur avant de remplacer le fusible ou l'ampoule.**  
 Desconectar del suministro de la red, antes de realizar la sustitución del fusible o de la lámpara.  
**Voor het vervangen van lamp of zekering, eerst netspanning uitschakelen.**  
 Koppla bort spänningen före byte av en säkring eller en lampa.



**Switch off**  
 Abschalten  
**Débrancher**  
 Desconectar  
**Uitschakelen**  
 Stäng av

**NOTE**  
 REFER TO THE APPROPRIATE LEAFLET  
 FOR SUPPLIED LUMINAIRE

**INSTALLATION PROCEDURE** + **IS500**

Secure supply cable leads in supplied cable connector/s (D) as shown in Fig.1.

Pass cable/s through post top bracket (B) and down pole.

Locate bracket (B) on pole top and tighten fixing screws (F) to a torque of 6NM.

Join lantern connector/s (E) and mains connector/s (D).

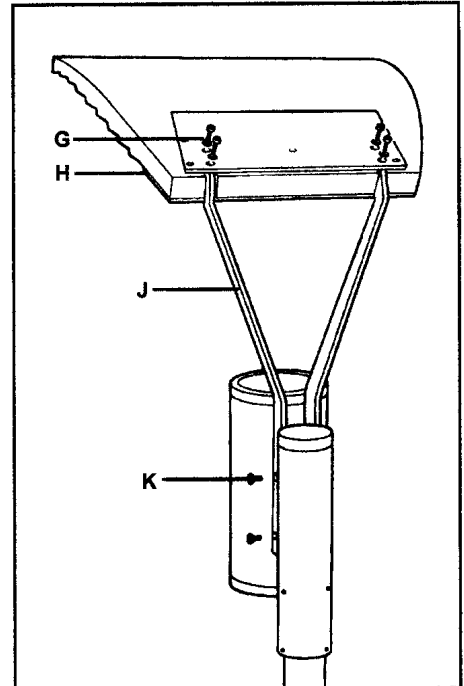
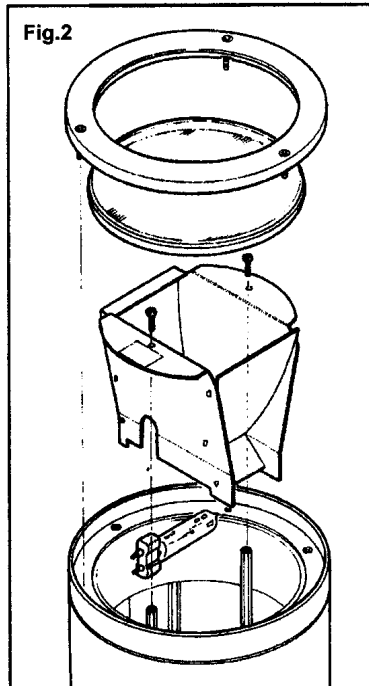
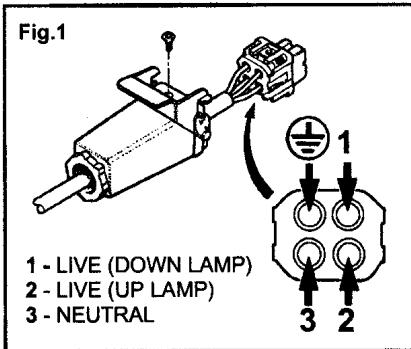
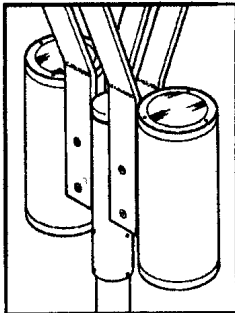
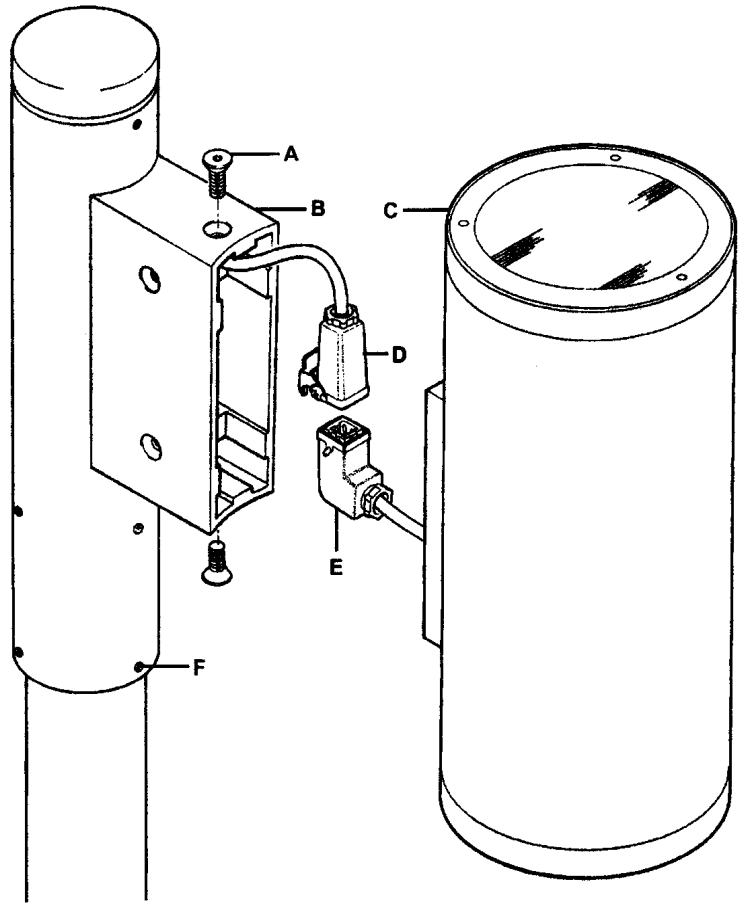
Locate lantern/s (C) in bracket (B) and tighten screws (A) to a torque of 30-40NM.

Secure canopy/s (H) to canopy arms (J) with supplied screws and lock washers (G) to a torque of 15NM.

Secure canopy/arms assembly/s to post top bracket/s using supplied screws (K) to a torque of 30-40NM.

Fit appropriate lamp/s as indicated on lantern labels (See Fig.2. for fitting top lamp).

**WARNING: LUMINAIRE MUST BE EARTHED**



**CHECKLIST**

	0897	QTY	0897	QTY	0218	QTY	0228	QTY
4061541	0015	1	0005	1	1072	1	1141	1
4061542	0016	1	0008	1	1071	1	1141	1
4061537	0017	1	0005	1	1072	1	1141	1
4061538	0018	1	0006	1	1071	1	1141	1
4061539	0019	1	0005	1	1072	1	1141	1
4061540	0020	1	0006	1	1071	1	1141	1
4062784	0015	2	0007	1	1072	2	1141	2
4062785	0016	2	0008	1	1071	2	1141	2
4062786	0017	2	0007	1	1072	2	1141	2
4062787	0018	2	0008	1	1071	2	1141	2
4062788	0019	2	0007	1	1072	2	1141	2
4062789	0020	2	0008	1	1071	2	1141	2

Suitable for use indoors  
 Geeignet für innenanwendung  
 Pour un usage interne

Adecuada para uso en interiores  
 Geschikt voor gebruik binnen  
 Lämpig för inomhusbruk

This Electrical Product MUST be recycled.

