

# Micro Lynx-F Bulkhead (Twin Entry)

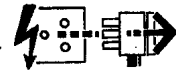
IP55 ta 25°C



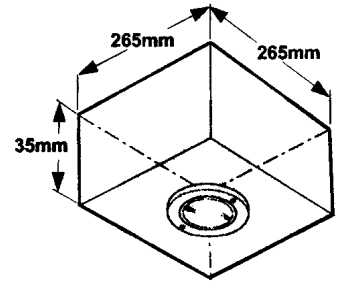
IS5721

|         |         |         |         |
|---------|---------|---------|---------|
| 4062790 | 4062800 | 4062957 | 4062967 |
| 4062791 | 4062801 | 4062958 | 4062968 |
| 4062792 | 4062802 | 4062959 | 4062969 |
| 4062793 | 4062803 | 4062960 | 4062970 |
| 4062794 | 4062804 | 4062961 | 4062971 |
| 4062795 | 4062805 | 4062962 | 4062972 |
| 4062796 | 4062806 | 4062963 | 4062973 |
| 4062797 | 4062807 | 4062964 | 4062974 |
| 4062798 | 4062808 | 4062965 | 4062975 |
| 4062799 | 4062809 | 4062966 | 4062976 |

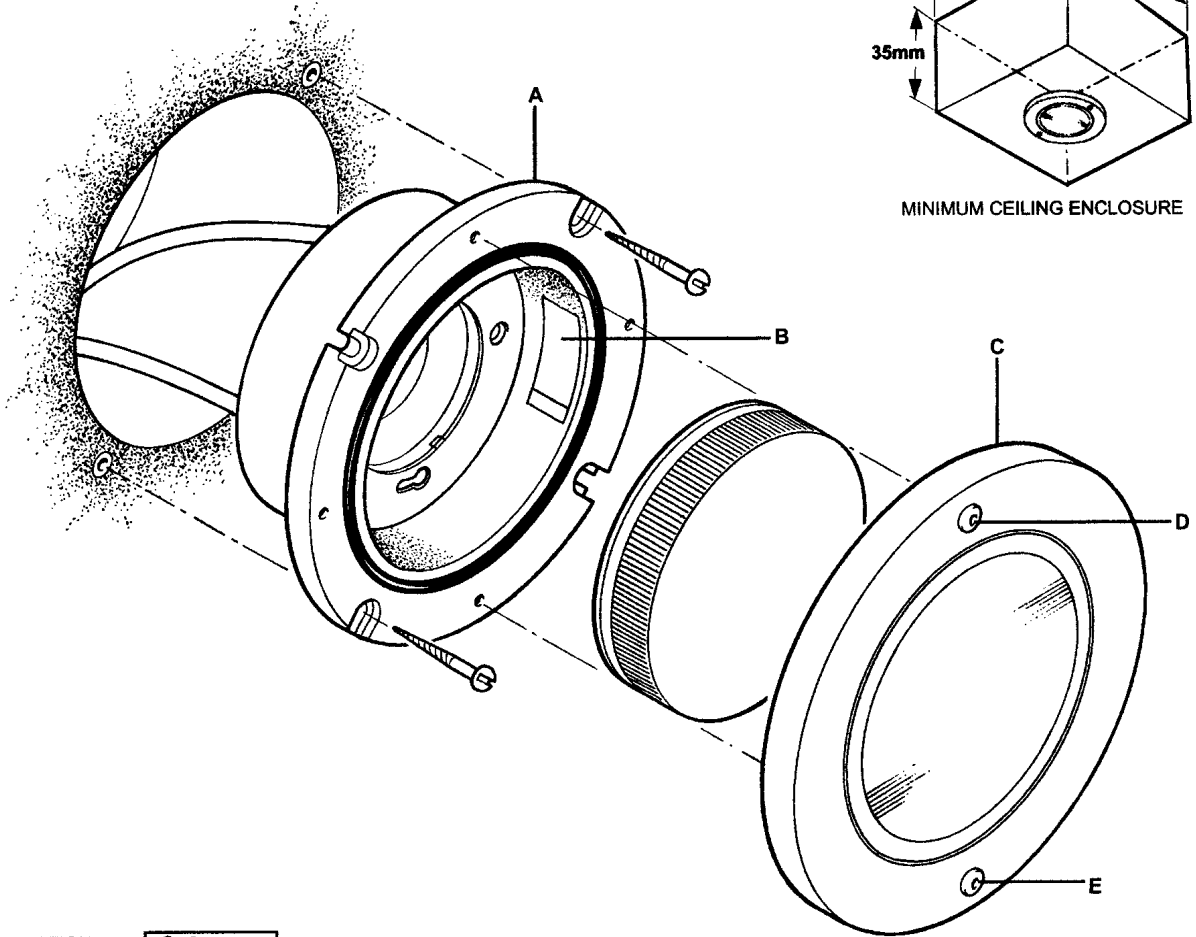
**Disconnect from mains supply before replacing the fuse or the lamp.**  
 Vor dem Einsetzen der Sicherung oder der Lampe Spannungsfreiheit herstellen.  
**Débrancher le secteur avant de remplacer le fusible ou l'ampoule.**  
 Desconectar del suministro de la red, antes de realizar la sustitución del fusible o de la lámpara.  
**Voor het vervangen van lamp of zekering, eerst netspanning uitschakelen.**  
 Koppla bort spänningen före byte av en säkring eller en lampa.



**Switch off**  
 Abschalten  
**Débrancher**  
 Desconectar  
**Uitschakelen**  
 Stäng av



MINIMUM CEILING ENCLOSURE



**INSTALLATION PROCEDURE** + **IS500**

Unscrew trim screws (D) and (E) evenly and remove trim (C).

Prepare aperture and suitable fixings for housing (A) as shown in diagram.

Connect bulkhead supply leads to mains electrical supply using suitable mains connectors (2 x IP65 Connector - Part No.4061799, if applicable).

Secure housing to mounting surface using suitable fixing screws.

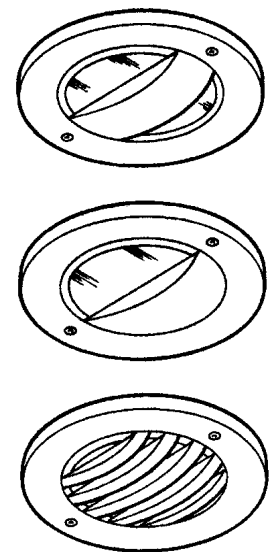
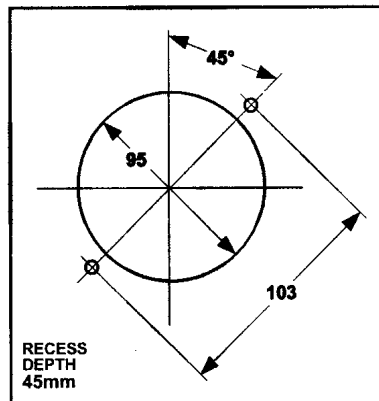
Fit appropriate lamp as indicated on label (B).

Secure trim (C) to housing (A) by tightening trim screws (D) and (E) evenly.

**IMPORTANT: ENSURE THAT FACES OF HOUSING AND TRIM ARE CLEAN BEFORE FITTING**

**NOTE: A MAXIMUM OF 35 LUMINAIRES CAN BE LOOPED TOGETHER IN ONE CIRCUIT**

**WARNING: LUMINAIRE PVC CABLE MUST NOT BE EXPOSED TO THE ELEMENTS**



Suitable for use indoors  
 Geeignet für innenanwendung  
 Pour un usage interne

Adecuada para uso en interiores  
 Geschikt voor gebruik binnen  
 Lämpig för inomhusbruk

This Electrical Product **MUST** be recycled.



# Concord:marlin

Avis Way Newhaven East Sussex BN9 0ED  
 T 0870 606 2030 F 01273 512 688 email:information@concordmarlin.com

