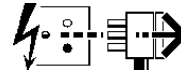
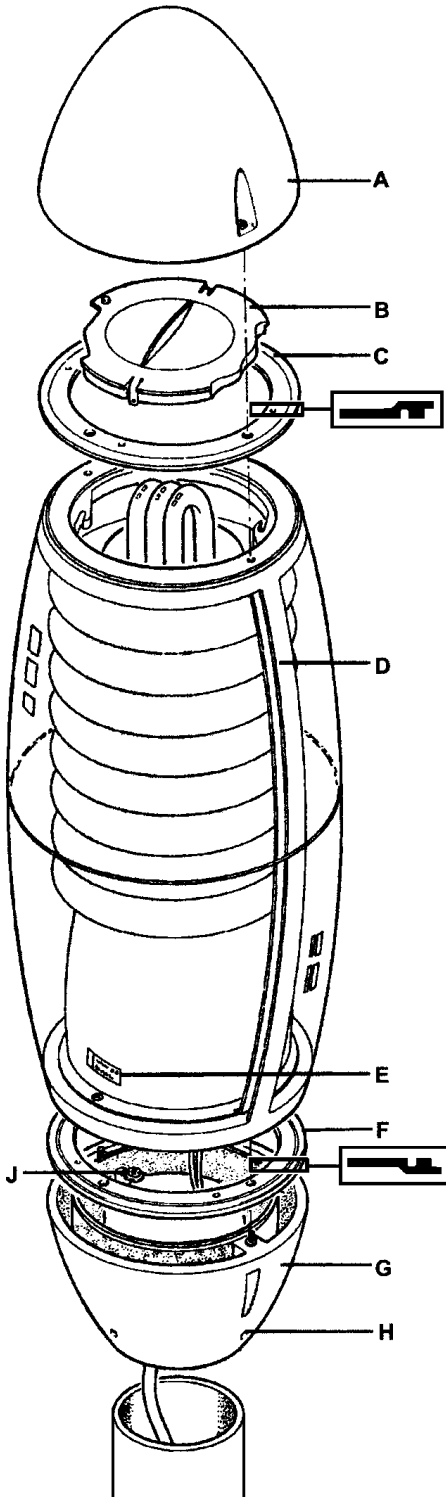


4041094 4041095  
4043659 4043660  
4049628 4049629

**Disconnect from mains supply before replacing the fuse or the lamp.**  
Vor dem Einsetzen der Sicherung oder der Lampe Spannungsfreiheit herstellen.  
**Débrancher le secteur avant de remplacer le fusible ou l'ampoule.**  
Desconectar del suministro de la red, antes de realizar la sustitución del fusible o de la lámpara.  
**Voor het vervangen van lamp of zekering, eerst netspanning uitschakelen.**  
Koppla bort spänningen före byte av en säkring eller en lampå.



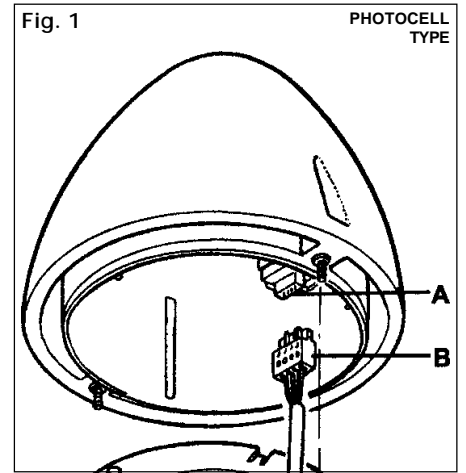
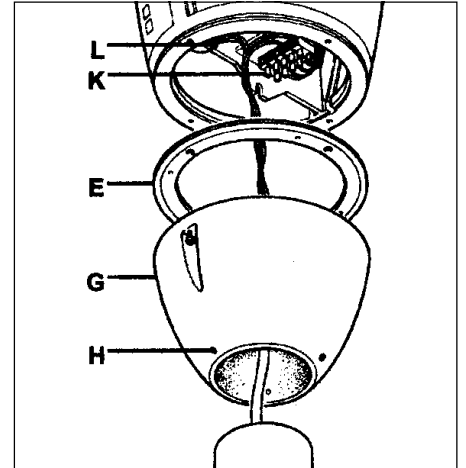
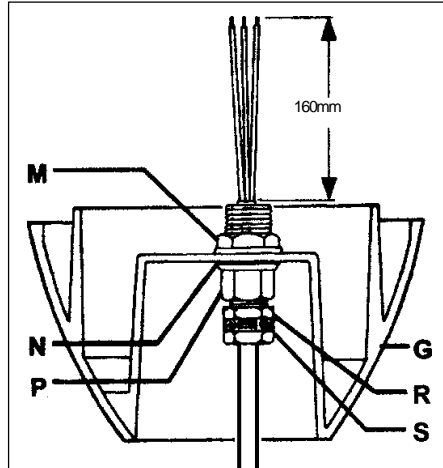
**Switch Off**  
Abschalten  
**Débrancher**  
Desconectar  
**Uitschakelen**  
Stäng av



**Installation Procedure**

- Remove base cone (G) and sealing gasket (F).
- Strip back outer sheathing of supply cable 160mm.
- Pass cable leads through cable gland body (P). With the cable sheathing flush with end of gland, tighten gland nut (R) to obtain IP65 rating.
- Tighten cable clamp screws.
- Pass the cable leads through sealing washer (N), and base cone (G).
- Fit cable gland (P) in cone and secure with gland locking nut (M).
- Position sealing gasket (F) on cone.
- Connect mains supply leads in respectively marked terminals in terminal block (K).
- Connect earth lead to boss (L) with supplied screw and cup washer.
- NOTE: If column is not earthed, lantern must be earthed to terminal (J) in cone.

- Re-fit sealing gasket (F) and base cone (G).
- Remove top cone (A) and reflector disc (G).
- Fit appropriate lamp as indicated on label (E).
- Photocell Type (Fig. 1): Connect plug (A) in socket (B).
- Re-fit reflector disc (B) and top cone (A) ensuring sealing gasket (C) is in position.
- Pass mains supply cable down column, place lantern on column and secure in position by tightening locking screws (H) equally.
- NOTE: Ensure sealing gaskets (C) and (F) are fitted as shown in inset diagrams. Ensure sealing gasket (C) is correctly positioned when top cone (A) is fitted after lamping.
- WARNING:  
If a fault should occur with housing assembly (D), do not dismantle. Return housing to supplier for overhaul, failure to do so will invalidate warranty and any responsibility on the part of the manufacturer.



NOTES:  
This luminaire should be cleaned using warm soapy water and a soft cloth - ensure luminaire is switched off during cleaning.  
Dispose of lamps in accordance with lamp manufacturers instructions.  
Do not use solvents to clean photocell.

Suitable for use indoors  
Geeignet für Innenanwendung  
Pour un usage interne  
Adecuada para uso en interiores  
Geschikt voor gebruik binnen  
Lämplig för inomhusbruk

Replace any cracked protective shield.  
Dieses symbol bedeutet, dass defekte Schutzgläser sofort ersetzt werden müssen.  
**Ce symbol indique que vous devez remplacer tout verre de protection fêlé.**  
Este símbolo indica que hay que reemplazar filtros en caso de rotura o desperfectos.  
**Dette symbolet indikerer at alle ødelagte (sprukne) sikkerhetsglass må skiftes.**  
Valaisinta ei saa käyttää ilman suojalasia vioitunut suojalasi on vaihdettava uuteen ennen valaisimen käyttöön ottoa.

< Millimetres >

This Electrical Product  
MUST be recycled.

12.07