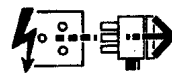
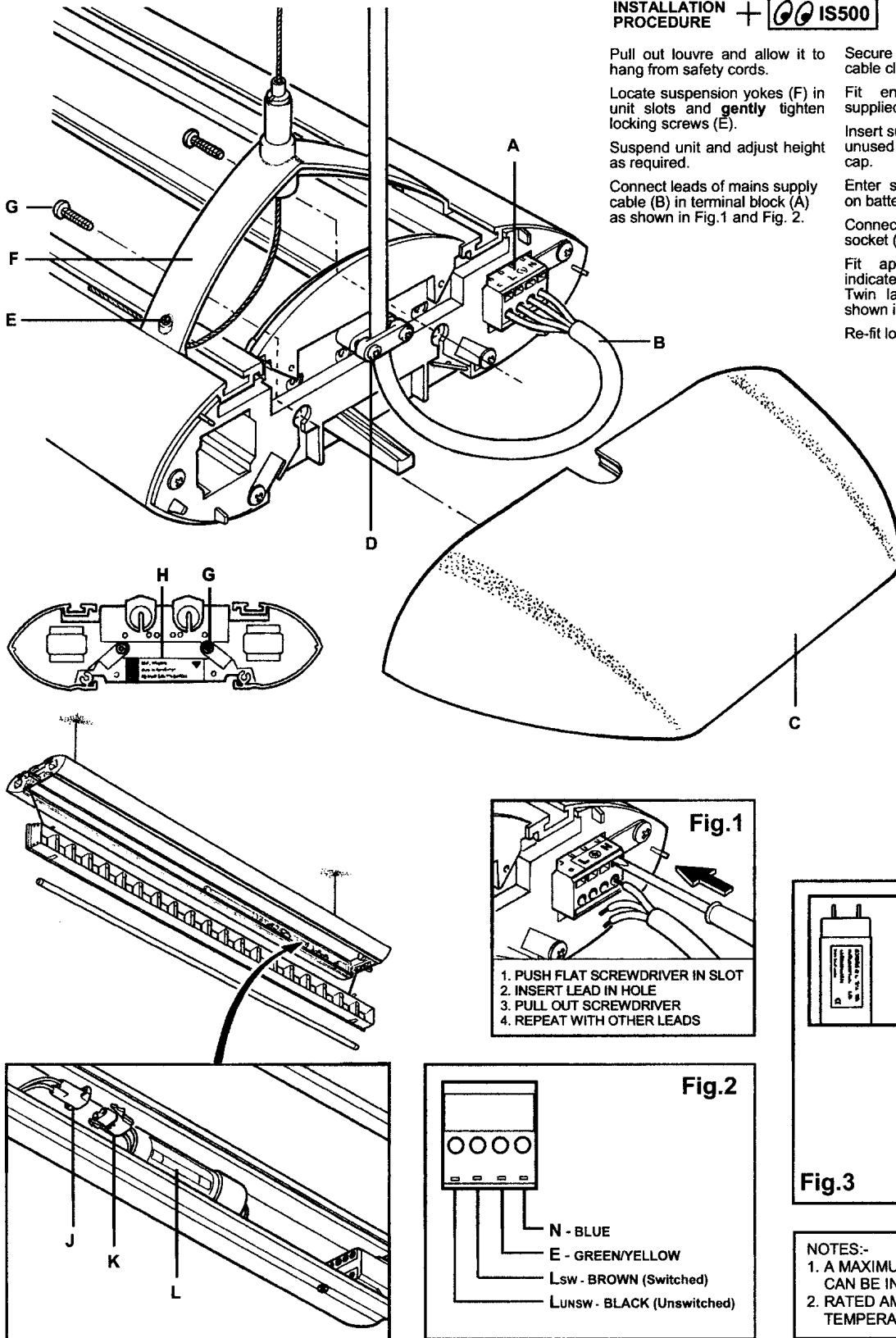


4046443	4046618	4064361	4064365
4046453	4046628	4064362	4064366
4046473	4046648	4064363	4064367
4046483	4046658	4064364	4064368

Disconnect from mains supply before replacing the fuse or the lamp.
 Vor dem Einsetzen der Sicherung oder der Lampe Spannungsfreiheit herstellen.
Débrancher le secteur avant de remplacer le fusible ou l'ampoule.
 Desconectar del suministro de la red, antes de realizar la sustitución del fusible o de la lámpara.
Voor het vervangen van lamp of zekering, eerst netspanning uitschakelen.
 Koppla bort spänningen före byte av en säkring eller en lampa.

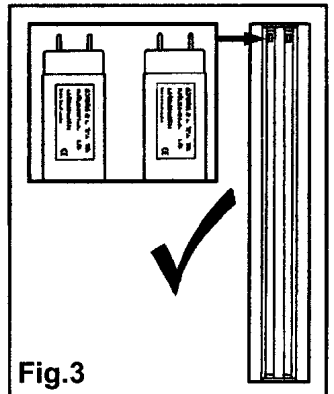
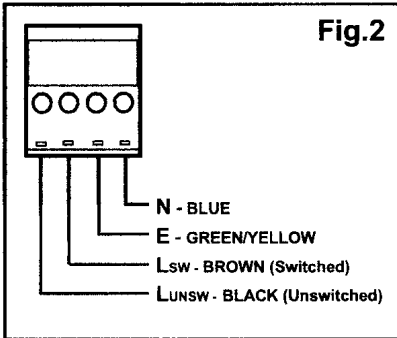
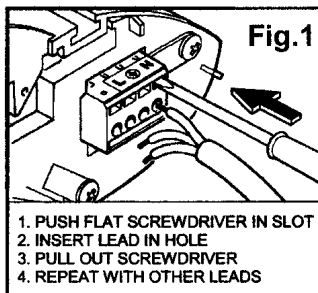
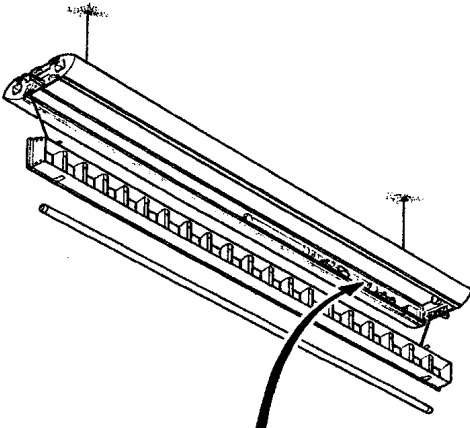
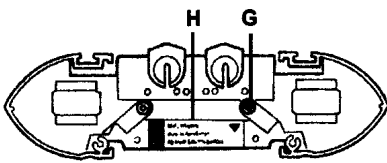


Switch off
 Abschalten
Débrancher
 Desconectar
Uitschakelen
 Stäng av



INSTALLATION PROCEDURE + IS500

- Pull out louvre and allow it to hang from safety cords.
- Locate suspension yokes (F) in unit slots and **gently** tighten locking screws (E).
- Suspend unit and adjust height as required.
- Connect leads of mains supply cable (B) in terminal block (A) as shown in Fig.1 and Fig. 2.
- Secure mains supply cable in cable clamp (D).
- Fit end caps (C) using supplied fixing screws (G).
- Insert supplied blanking plug in unused cable entry slot in end cap.
- Enter supply connection date on battery pack label (L).
- Connect battery plug (J) and socket (K).
- Fit appropriate lamp/s as indicated on label (H). **NOTE:** Twin lamps must be fitted as shown in Fig.3.
- Re-fit louvre.



NOTES:-

1. A MAXIMUM OF 10 MODULES CAN BE INTERCONNECTED
2. RATED AMBIENT TEMPERATURE = 25°C

Suitable for use indoors
 Geeignet für innenanwendung
 Pour un usage interne

Adecuada para uso en interiores
 Geschikt voor gebruik binnen
 Lämplig för inomhusbruk

This Electrical Product **MUST** be recycled.