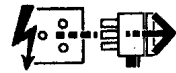
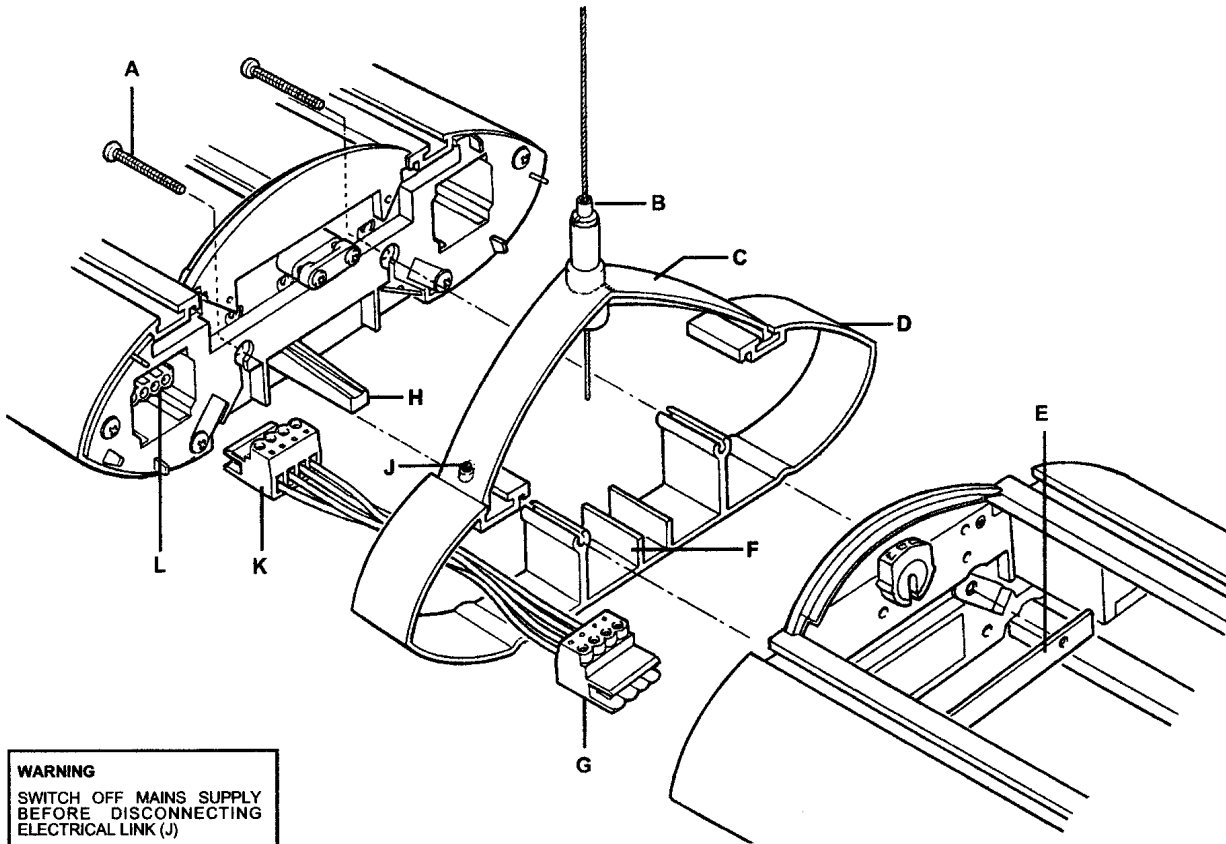


4046051  
4046053

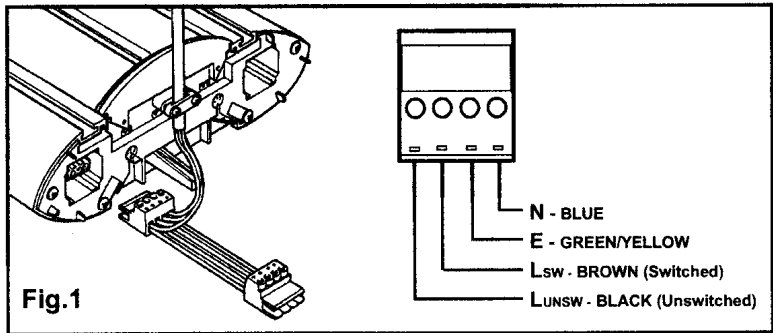
**Disconnect from mains supply before replacing the fuse or the lamp.**  
 Vor dem Einsetzen der Sicherung oder der Lampe Spannungsfreiheit herstellen.  
**Débrancher le secteur avant de remplacer le fusible ou l'ampoule.**  
 Desconectar del suministro de la red, antes de realizar la sustitución del fusible o de la lámpara.  
**Voor het vervangen van lamp of zekering, eerst netspanning uitschakelen.**  
 Koppla bort spänningen före byte av en säkring eller en lampa.



**Switch off**  
 Abschalten  
**Débrancher**  
 Desconectar  
**Uitschakelen**  
 Stäng av



**WARNING**  
 SWITCH OFF MAINS SUPPLY  
 BEFORE DISCONNECTING  
 ELECTRICAL LINK (J)



**INSTALLATION PROCEDURE** + **IS500**

1. Slide a suspension yoke (C) in channels at one end of unit and **gently** tighten locking screws (J).
2. Slide a suspension yoke in channels of connector (D) and **gently** tighten locking screw (J).
3. Hook nosing (H) over connector rib (F) and push connector to engage in unit.
4. Ensure unit is level with respect to connector.
5. The unit should now suspend securely for the following stages of installation.

6. Connect link plug (K) in unit socket (L).
7. **NOTE:** If mains supply is required in the middle of a run connect wiring as shown in Fig.1.
8. The second unit can now be suspended.
9. Hold unit in position and connect link plug (G) in second unit socket.
10. Hook nosing (H) over connector rib (F) and push connector to engage in unit, and **repeat** at other end (if applicable).
11. Lock first and second units together using supplied fixing plate (E) and screws (A).

12. **NOTE:** Ensure link leads are not trapped when joining units.
13. Repeat stages 6 to 11 (if applicable).
14. Suspend final unit as per stages 4 to 6.
15. Fit end caps, lamp/s and louvres as applicable.
16. **NOTE:** Suspension cables must be vertical and unit horizontal.
17. Route excess suspension cable along unit channel. (See 0165-5724).
18. Adjust suspension height by depressing collet button (B) as shown.

Suitable for use indoors  
 Geeignet für innenanwendung  
 Pour un usage interne

Adecuada para uso en Interiores  
 Geschikt voor gebruik binnen  
 Lämpig för inomhusbruk

This Electrical Product **MUST** be recycled.

