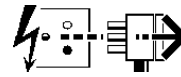
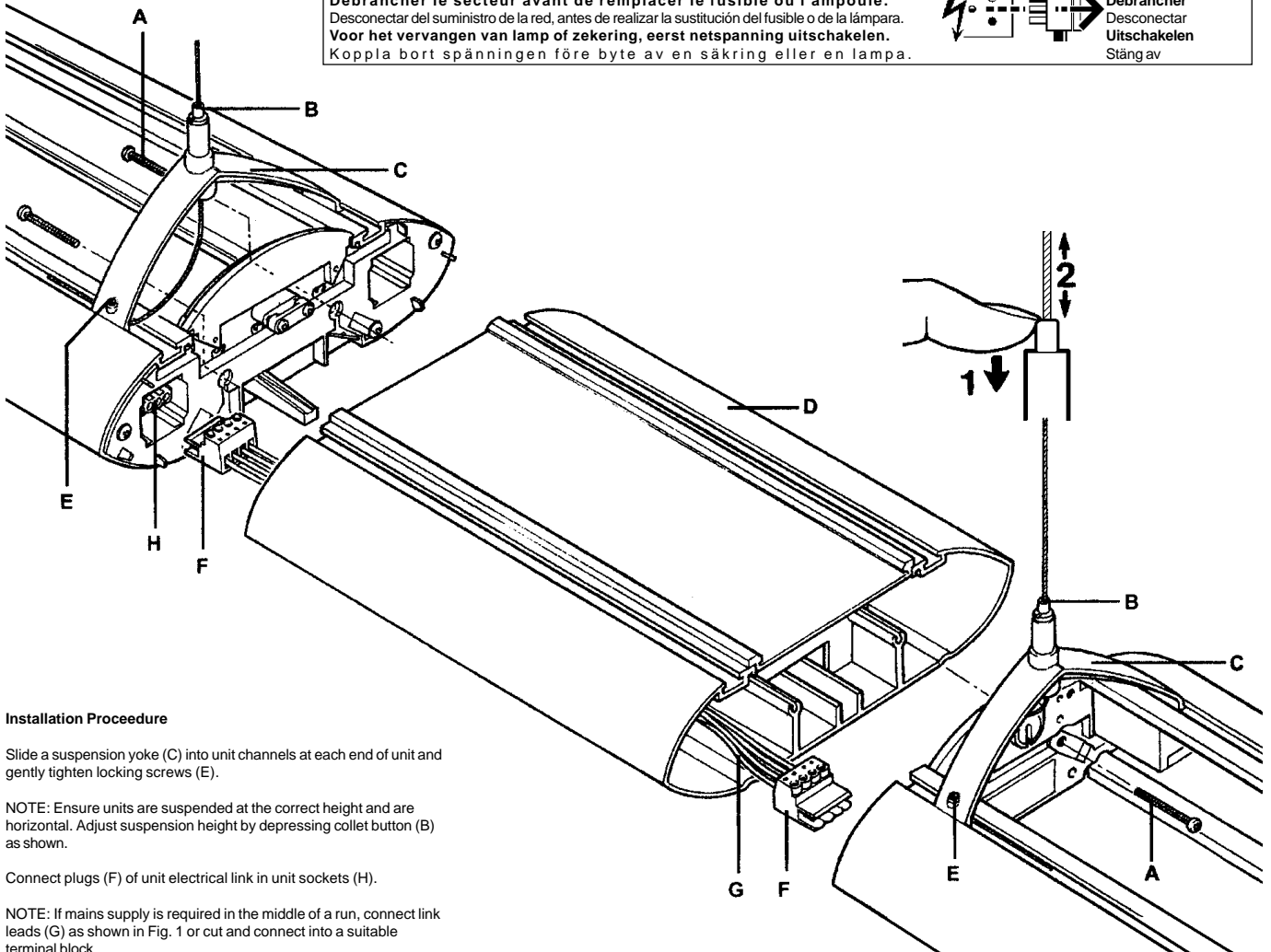


4046052  
4046054

**Disconnect from mains supply before replacing the fuse or the lamp.**  
Vor dem Einsetzen der Sicherung oder der Lampe Spannungsfreiheit herstellen.  
**Débrancher le secteur avant de remplacer le fusible ou l'ampoule.**  
Desconectar del suministro de la red, antes de realizar la sustitución del fusible o de la lámpara.  
**Voor het vervangen van lamp of zekering, eerst netspanning uitschakelen.**  
Koppla bort spänningen före byte av en säkring eller en lampa.



**Switch Off**  
Abschalten  
**Débrancher**  
Desconectar  
**Uitschakelen**  
Stäng av



**Installation Procedure**

Slide a suspension yoke (C) into unit channels at each end of unit and gently tighten locking screws (E).

NOTE: Ensure units are suspended at the correct height and are horizontal. Adjust suspension height by depressing collet button (B) as shown.

Connect plugs (F) of unit electrical link in unit sockets (H).

NOTE: If mains supply is required in the middle of a run, connect link leads (G) as shown in Fig. 1 or cut and connect into a suitable terminal block.

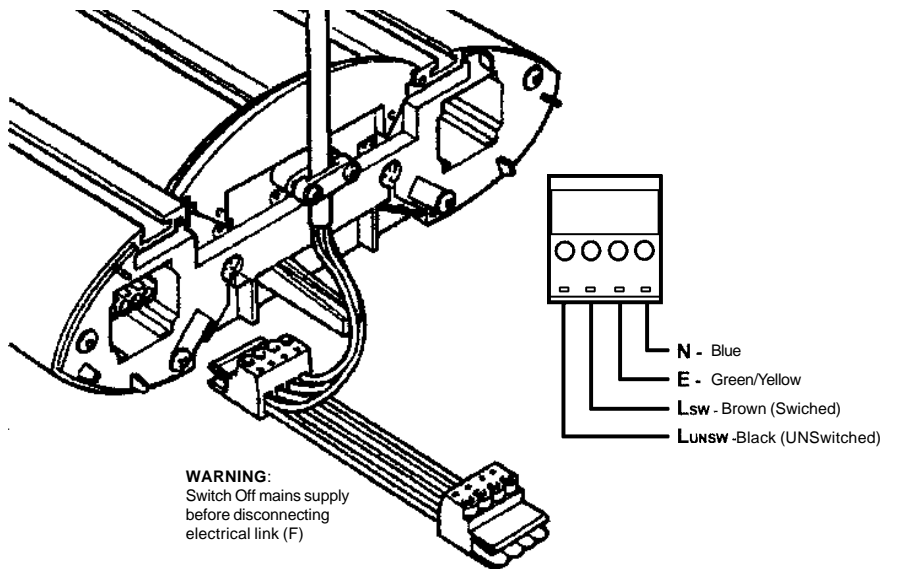
Locate connector (D) between units, and push both units to engage.

Secure units and connector using supplied fixing screws (A).

Fit end caps, lamps and louvres if applicable as shown in leaflet IS5724.

Suspension cables must be vertical and unit must be horizontal.

Route excess suspension cable along unit channel as shown.



**Suitable for use indoors**  
Geeignet für Innenanwendung  
**Pour un usage interne**  
Adecuada para uso en interiores  
**Geschikt voor gebruik binnen**  
Lämplig för inomhusbruk



**Replace any cracked protective shield.**

Dieses symbol bedeutet, dass defekte Schutzgläser sofort ersetzt werden müssen.

**Ce symbole indique que vous devez remplacer tout verre de protection fêlé.**

Este simbolo indica que hay que reemplazar filtros en caso de rotura o desperfectos.

**Dette symbolet indikerer at alle ødelagte (sprukne) sikkerhetglass må skiftes.**

Valaisinta ei saa käyttää ilman suoja-alasia vioitunut suoja-lasi on vaihdettava uuteen ennen valaisimen käyttöön ottoa.

< Millimetres >



This Electrical Product **MUST** be recycled.



12.07

**Concord**