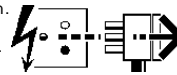
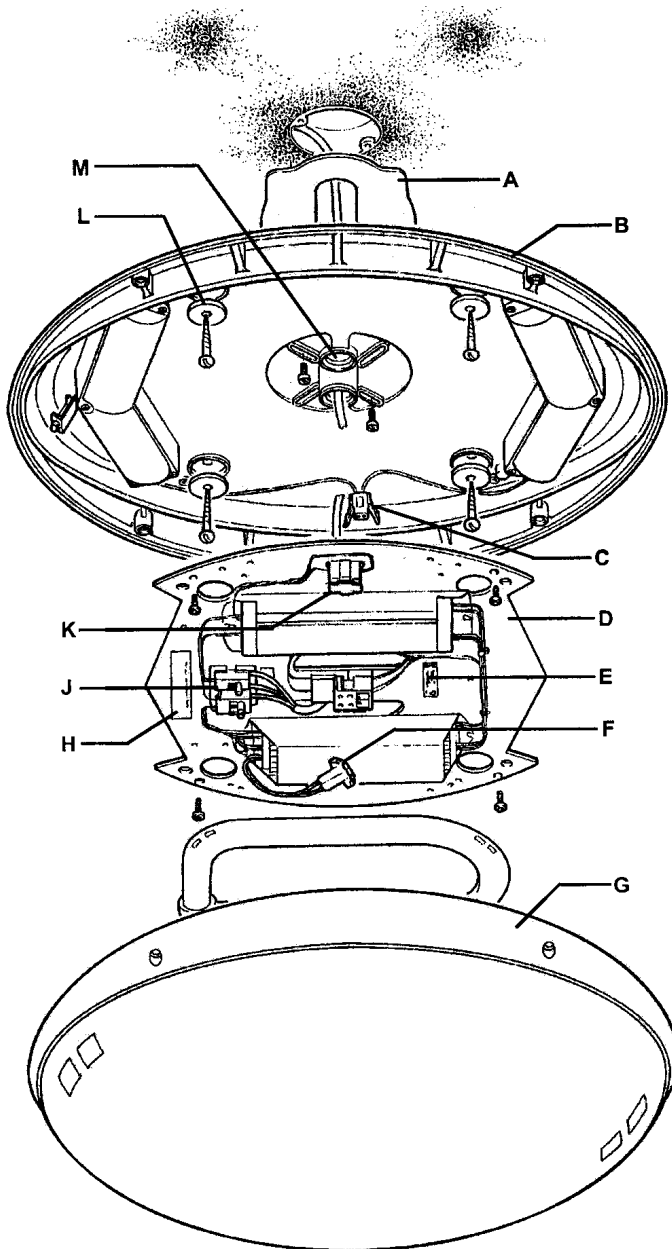


4063646 4063648 4063650 4063652 4063654  
 4063656 4063670 4063672 4063674 4063694  
 4063696 4063698 4063700 4063702 4063704  
 4064482 4064484 4064486 4064488 4064788  
 4064790  
 ta20°C  
 4063676 4063678 4063680

**Disconnect from mains supply before replacing the fuse or the lamp.**  
 Vor dem Einsetzen der Sicherung oder der Lampe Spannungsfreiheit herstellen.  
**Débrancher le secteur avant de remplacer le fusible ou l'ampoule.**  
 Desconectar del suministro de la red, antes de realizar la sustitución del fusible o de la lámpara.  
**Voor het vervangen van lamp of zekering, eerst netspanning uitschakelen.**  
 Koppla bort spänningen före byte av en säkring eller en lampa.



**Switch Off**  
 Abschalten  
**Débrancher**  
 Desconectar  
**Uitschakelen**  
 Stäng av



**Check List**

- 3 x Silicone Sleeving
- 2 x Grommets
- 1 x Gasket
- 4 x Seal Washers

**Installation Procedures**

Remove trim/diffuser assembly (G).

Remove gear tray (D).

Prepare suitable fixings in wall or ceiling at 160mm centres.  
 NOTE: Housing (B) is marked 'TOP' if wall mounting.

Drill 5mm diameter outrigger holes in housing and M4 clearance holes if fixing to a conduit box.  
 NOTE: Outrigger holes must be used in all installations.

Stick self adhesive sealing gasket (A) on housing (B).

Fit supplied grommets (M) in housing - Fig. 1.

Pierce and pass mains supply cable through a grommet.

Secure housing (B) to mounting surface with suitable fixing screws and seal washers (L). If applicable secure to conduit box with M4 screws.  
 NOTE: Sealing side of washer to face housing.

NOTE: Apply waterproof sealant around supply cable grommets and the heads of all housing fixing screws.

Pass supply cable through gear tray (D) and fit tray.  
 NOTE: Tray will only fit in one position.

Cover all electrical supply cable leads with supplied silicone sleeving.

Connect cable leads in respectively marked terminals in terminal block (J).

Enter installation date on battery label (H).

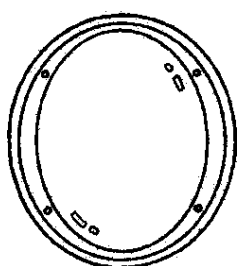
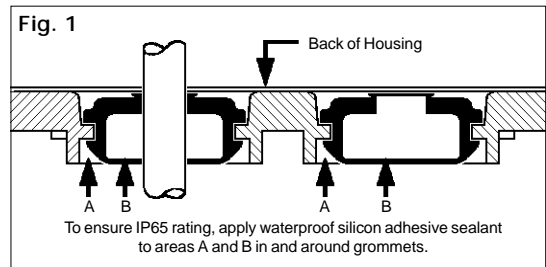
Fit appropriate lamp as indicated on label (E).

Connect battery plug (F) and socket (C).

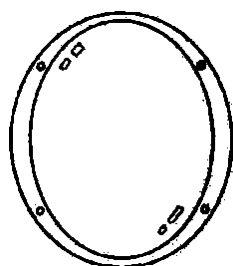
Fit trim/diffuser assembly (G).

NOTE: Luminaire is protected by a 3A fuse.

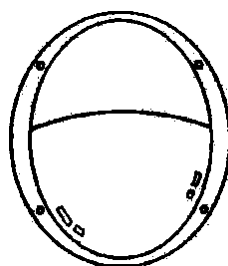
NOTE: Suitable for Interior or Exterior mounting.



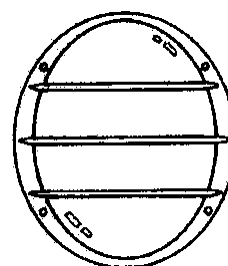
4064482 4064484  
 4064486 4064488  
 4064788 4064790



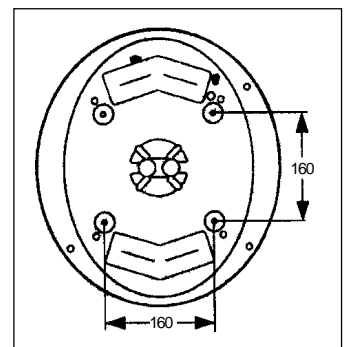
4063646 4063648  
 4063650 4063652  
 4063654 4063656



ta25°C  
 4063670 4063676  
 4063672 4063678  
 4063674 4063680



4063694 4063696  
 4063698 4063700  
 4063702 4063704



**Routine Maintenance**

Routine maintenance must be carried out in compliance with the requirements of BS5266:Part 1 - Emergency Lighting of Premises.

The following tests assume a three-hour system.

- Daily:**
1. Check that any recorded faults have been rectified.
  2. Check that the maintained emergency lamp is operative.
  3. Check that the charge indicator light is illuminated.
- Monthly:**  
(Functional)
1. Simulate a mains failure and check that the emergency lamp illuminates and remains on for several minutes.
  2. After reverting back to mains supply check the charge indicator light is illuminated.
- Six Monthly:**  
(1 Hour)
1. Simulate a mains failure and check that the emergency lamp illuminates and remains on for one hour.
  2. After reverting back to mains supply check the charge indicator light is illuminated.
  3. On restoring the mains supply the unit will require approximately 24 hours to recharge before becoming fully operational.
- Three Years:**  
(3 Hours)
1. Simulate a mains failure and check that the emergency lamp illuminates and remains on for at least 3 hours.
  2. After reverting back to mains supply check the charge indicator light is illuminated.
  3. On restoring the mains supply the unit will require approximately 24 hours to recharge before becoming fully operational.

It is recommended that the battery packs and lamps are replaced every 4 years or sooner if the units performance fails to meet the above requirements. To maintain optimum unit performance, only approved replacement battery packs and lamps must be used.

All routine maintenance checks must be recorded on the unit Routine Test Record and must be made available for inspection at all times.

**Installation and Commissioning Record**

Luminaire Model Ref: \_\_\_\_\_ Location: \_\_\_\_\_  
 Installed By: \_\_\_\_\_ Date: \_\_\_\_\_  
 Commissioned by: \_\_\_\_\_ Date: \_\_\_\_\_  
 (Full Charge and Discharge Cycle)

**Routine Test Record**

Monthly Test	First Year		Second Year		Third Year		Forth Year		Fifth Year	
	Signed	Dated	Signed	Dated	Signed	Dated	Signed	Dated	Signed	Dated
Functional										
Functional										
Functional										
Functional										
Functional										
1 Hour Duration										
Functional										
Functional										
Functional										
Functional										
Functional										
1 Hour Duration										
3 Hour Duration										

**Suitable for use indoors**

Geeignet für Innenanwendung  
**Pour un usage interne**  
 Adecuada para uso en interiores  
**Geschikt voor gebruik binnen**  
 Lämpig för inomhusbruk



- Replace any cracked protective shield.**  
 Dieses symbol bedeutet, dass defekte Schutzgläser sofort ersetzt werden müssen.  
**Ce symbol indique que vous devez remplacer tout verre de protection fêlé.**  
 Este simbolo indica que hay que 'reemplazar filtros en caso de rotura o desperfectos'.  
**Dette symbolet indikerer at alle ødelagte (sprukne) sikkerhetsglass må skiftes.**  
 Valaisinta el saa käyttää ilman suojalasia vioittunut suojalasi on vaihdettava uuteen ennen valaisimen käyttöön ottoa.

< Millimetres >



This Electrical Product **MUST** be recycled.



01.08