

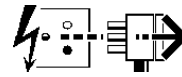
Optix Emergency Downlight

Installation Instructions **IS500** **F** **⊕** This Product MUST be EARTHED

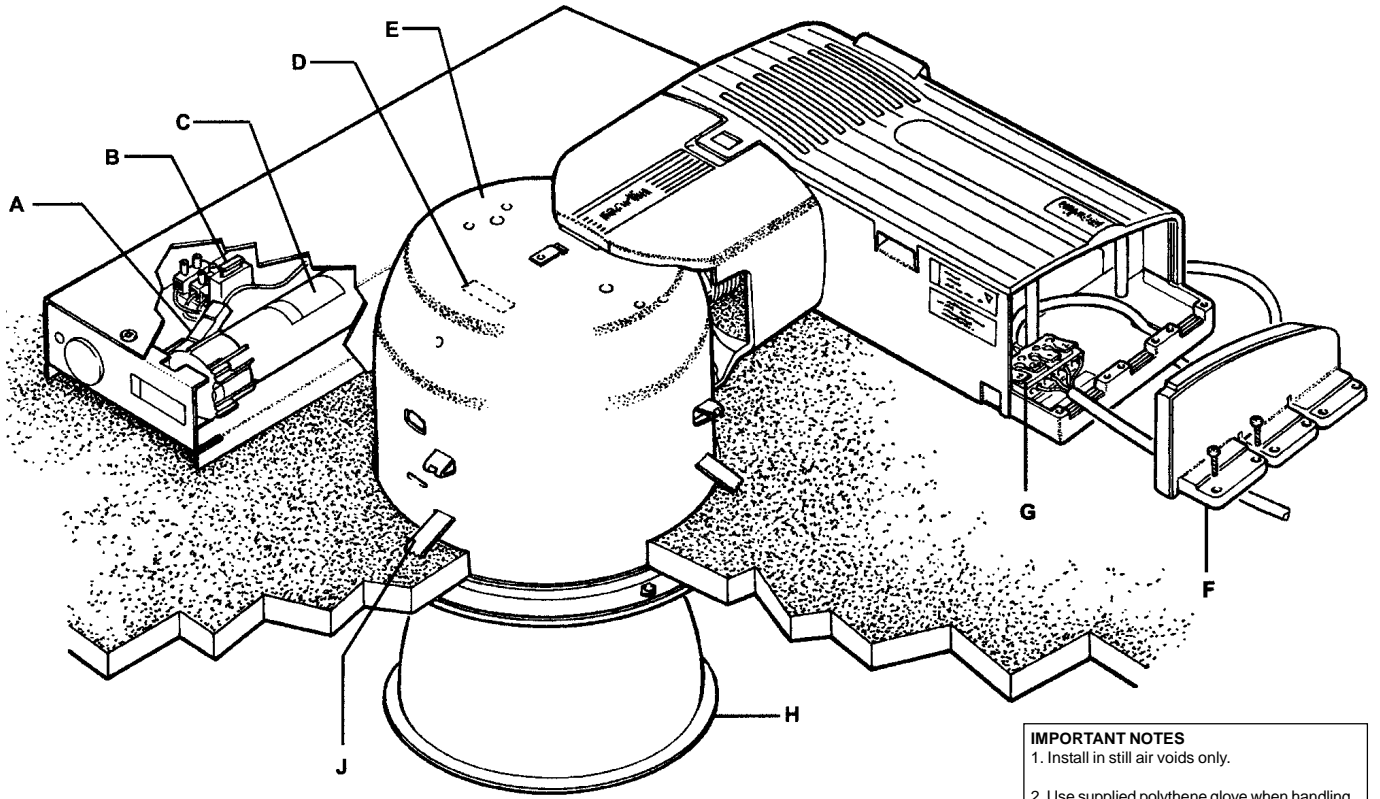
IS5757B

4063933
4063935
4063937
4063939
4063941
4063981
4063983
4063985
4063987
4063989

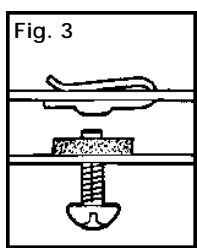
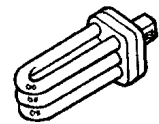
Disconnect from mains supply before replacing the fuse or the lamp.
Vor dem Einsetzen der Sicherung oder der Lampe Spannungsfreiheit herstellen.
Débrancher le secteur avant de remplacer le fusible ou l'ampoule.
Desconectar del suministro de la red, antes de realizar la sustitución del fusible o de la lámpara.
Voor het vervangen van lamp of zekering, eerst netspanning uitschakelen.
Koppla bort spänningen före byte av en säkring eller en lampa.



Switch Off
Abschalten
Débrancher
Desconectar
Uitschakelen
Stäng av

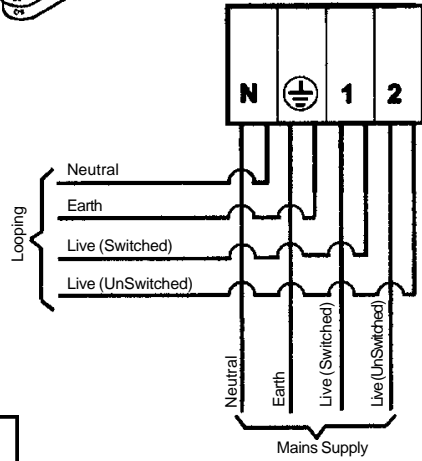
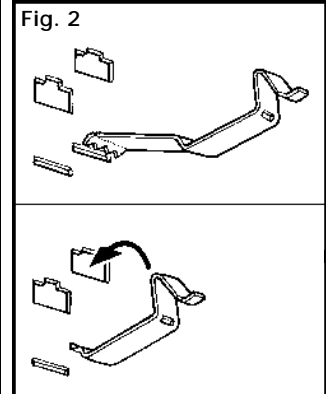
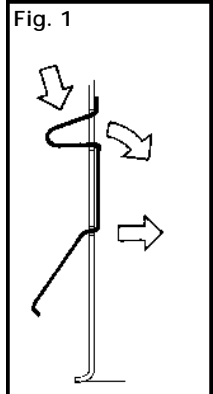


IMPORTANT NOTES
 1. Install in still air voids only.
 2. Use supplied polythene glove when handling the reflector.
 3. Any external cable or wiring must not come into contact with gear unit unless resistant up to 85°.



Ceiling Thickness (mm)	Fixing Slot
5 - 16	Bottom
16 - 31	Top

To avoid flexing of sheet metal tiles use a 6mm backing board



Installation Procedures
 Refer to table for aperture and recess dimensions.
 Prepare aperture in mounting surface.
 Remove reflector (H) and check voltage rating marked on label (D) conforms with mains electrical supply.
 Remove end panel (F).
 Remove mounting clips (J) from reflector housing (E) as shown in Fig. 1.
 Connect electrical wiring in terminal block (G) - see diagram.
 Fit end cover (F), ensuring supply cable is securely clamped.
 Connect battery plug (A) and enter date on battery label (C).
 Place remote box through aperture.
 Refer to table and secure housing (E) in ceiling aperture with mounting clips (J) as shown in Fig. 2.
 Fit reflector (H) in housing (E), ensuring that rubber washer is positioned on end of screw as shown in Fig. 3.
 Fit appropriate lamps as indicated on label (D).
NOTE: Unit is protected by F2A fuse (B).

	A	B	C
1 x 13/18W	175	240	200
1 x 26/32W 2 x 13/18W	200	250	200
1 x 42W 2 x 26/32W	225	260	200

Routine Maintenance

Routine maintenance must be carried out in compliance with the requirements of BS5266:Part 1 - Emergency Lighting of Premises.

The following tests assume a three-hour system.

- Daily:**
1. Check that any recorded faults have been rectified.
 2. Check that the maintained emergency lamp is operative.
 3. Check that the charge indicator light is illuminated.
- Monthly:**
(Functional)
1. Simulate a mains failure and check that the emergency lamp illuminates and remains on for several minutes.
 2. After reverting back to mains supply check the charge indicator light is illuminated.
- Six Monthly:**
(1 Hour)
1. Simulate a mains failure and check that the emergency lamp illuminates and remains on for one hour.
 2. After reverting back to mains supply check the charge indicator light is illuminated.
 3. On restoring the mains supply the unit will require approximately 24 hours to recharge before becoming fully operational.
- Three Years:**
(3 Hours)
1. Simulate a mains failure and check that the emergency lamp illuminates and remains on for at least 3 hours.
 2. After reverting back to mains supply check the charge indicator light is illuminated.
 3. On restoring the mains supply the unit will require approximately 24 hours to recharge before becoming fully operational.

It is recommended that the battery packs and lamps are replaced every 4 years or sooner if the units performance fails to meet the above requirements. To maintain optimum unit performance, only approved replacement battery packs and lamps must be used.

All routine maintenance checks must be recorded on the unit Routine Test Record and must be made available for inspection at all times.

Installation and Commissioning Record

Luminaire Model Ref: _____ Location: _____
 Installed By: _____ Date: _____
 Commissioned by: _____ Date: _____
 (Full Charge and Discharge Cycle)

Routine Test Record

Monthly Test	First Year		Second Year		Third Year		Forth Year		Fifth Year	
	Signed	Dated	Signed	Dated	Signed	Dated	Signed	Dated	Signed	Dated
Functional										
Functional										
Functional										
Functional										
Functional										
1 Hour Duration										
Functional										
Functional										
Functional										
Functional										
1 Hour Duration										
3 Hour Duration										

Suitable for use indoors

Geeignet für Innenanwendung
Pour un usage interne
 Adecuada para uso en interiores
Geschikt voor gebruik binnen
 Lämpig för inomhusbruk



- Replace any cracked protective shield.**
 Dieses symbol bedeutet, dass defekte Schutzgläser sofort ersetzt werden müssen.
Ce symbol indique que vous devez remplacer tout verre de protection fêlé.
 Este simbolo indica que hay que 'reemplazar filtros en caso de rotura o desperfectos'.
Dette symbolet indikerer at alle ødelagte (sprukne) sikkerhetsglass må skiftes.
 Valaisinta el saa käyttää ilman suojalasia vioittunut suojalasi on vaihdettava uuteen ennen valaisimen käyttöön ottoa.

< Millimetres >



This Electrical Product
MUST be recycled.



01.08

Concord

Avis Way Newhaven East Sussex BN9 0ED
 T 0870 606 2030 F 01273 512 688 email: information@concordmarlin.com

