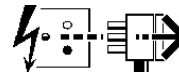
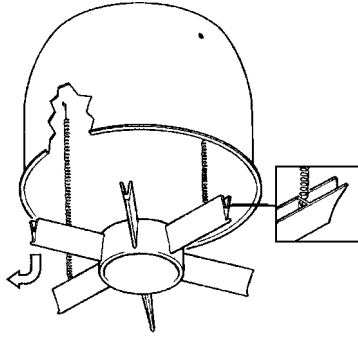


Disconnect from mains supply before replacing the fuse or the lamp.
 Vor dem Einsetzen der Sicherung oder der Lampe Spannungsfreiheit herstellen.
Débrancher le secteur avant de remplacer le fusible ou l'ampoule.
 Desconectar del suministro de la red, antes de realizar la sustitución del fusible o de la lámpara.
Voor het vervangen van lamp of zekering, eerst netspanning uitschakelen.
 Koppla bort spänningen före byte av en säkring eller en lampa.

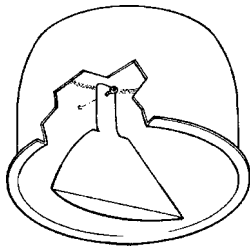


Switch Off
 Abschalten
Débrancher
 Desconectar
Uitschakelen
 Stäng av

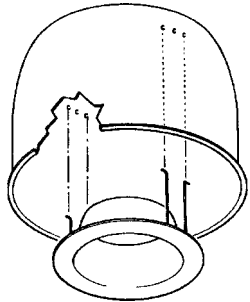
4063965 4063966
 4064037 4064038
 4064039 4064040
 4064042 4064043



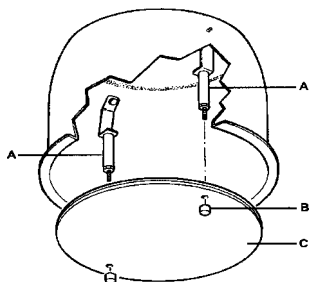
Turbo Louvre - 4064038 4064039
 Remove reflector from housing.
 Hook ends of springs through holes in louvre.
 Extend springs and attach to reflector as shown.
 Re-fit reflector in housing.
 Pull louvre down and to one side as shown by arrow and fit the lamp.



Kick Deflector - 4064037 4064040
 Remove reflector from housing and secure kick deflector in position.
 Re-fit reflector in housing.



Floating Ring - 4064042 4064043
 Hook ends of clip on one side of the ring through holes in reflector, repeat for the other clip.
 To relamp - Unhook one clip from reflector to allow ring to hang down on other clip.



Comfort Diffuser - 4063965 4063966
 Remove reflector from housing and fit bracket assemblies (A) with supplied screws.
 Re-fit reflector in housing.
 Fit diffuser (C) and secure with retaining knobs (B).
 NOTE: Ribbed surface to face down.

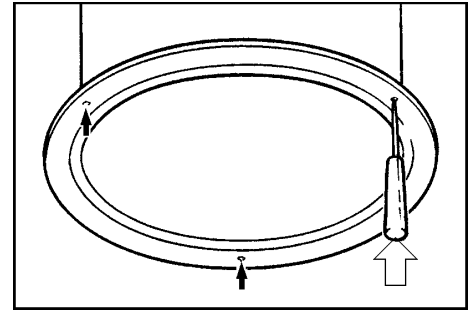
Suitable for use indoors
 Geeignet für Innenanwendung
Pour un usage interne
 Adecuada para uso en interiores
Geschikt voor gebruik binnen
 Lämplig för inomhusbruk



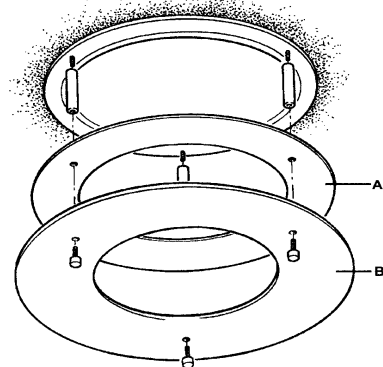
Replace any cracked protective shield.
 Dieses symbol bedeutet, dass defekte Schutzgläser sofort ersetzt werden müssen.
Ce symbole indique que vous devez remplacer tout verre de protection fêlé.
 Este símbolo indica que hay que reemplazar filtros en caso de rotura o desperfectos.
Dette symbolet indikerer at alle ødelagte (sprukne) sikkerhetglass må skiftes.
 Valaisinta ei saa käyttää ilman suojalasia vioitunut suojalasi on vaihdettava uuteen ennen valaisimen käyttöön ottoa.



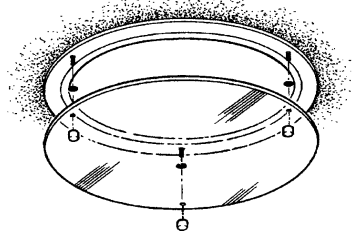
4063970 4063971 4063972
 4064028 4064029 4064030
 4064031 4064032 4064033
 4064034 4064035 4064036



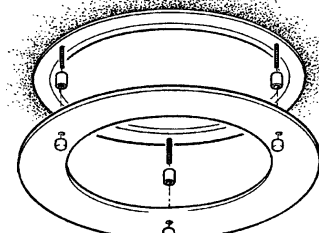
Push out the trim inserts with a suitable implement and fit supplied hexagon headed screws in recess.
 Secure downlight in ceiling aperture as described in installation leaflet supplied with the downlight.



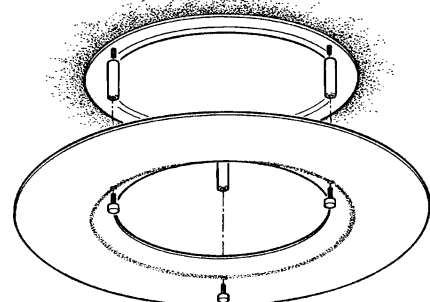
LG3 Glass/Prism Uplighter - 4064034 4064035 4064036
 Ridges on item (A) to face reflector and opaque side of item (B) to face reflector.



IP44 Glass Cover - 4064028 4064029 4064030



Annular Glass Ring - 4064031 4064032 4064033



Acrylic Ring - 4063970 4063971 4063972

< Millimetres >



This Electrical Product
 MUST be recycled.



11.07