

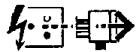
# INSTALLATION INSTRUCTIONS

Single Voltage  
Bathroom Shaverlight Cat. No. S6000

PLEASE READ THESE INSTRUCTIONS CAREFULLY BEFORE COMMENCING INSTALLATION

## SAFETY

Follow the appropriate national wiring regulations. If in doubt contact a qualified electrician.



Disconnect from mains supply before installation, maintenance or lamp replacement.

Lamps reach maximum temperatures rapidly. Take care when adjusting, relamping or cleaning. Rexel Senate accepts no responsibility for modified products or for the effects of cleaning solvents or for the accumulation of dust or dirt.

Do not interconnect Class III products with Class I or Class II. This product is suitable for use in ambient temperatures of 25°C. Unless otherwise marked, product is IP20 (Ordinary). This product should not be covered with any heat resistant material, air flow around the fitting should not be restricted. Note minimum distances to adjacent surfaces - see below. Any enclosure which prevents normal heat dissipation may cause reduced performance, overheating or risk of fire.

This product is designed to operate **SHAVERS ONLY**. This product should be connected to the lighting circuit or fused at a maximum of 5A.

Do not use with a dimmer switch. This product has a transformer giving a shaver socket outlet of 240V (single voltage) up to a maximum power consumption of 20VA. A fitted solid state overload device, will render socket inoperable should maximum load be exceeded. If this should occur, switch off mains supply and remove plug from shaver socket. The protection device will reset itself after a short time. After completion of installation, note suppliers name, address and purchase date and hand this leaflet to the person responsible for lighting maintenance, for future reference. In case of queries contact supplier.

The following symbols may be found on product or labels:-



CLASS 1 - THIS FITTING MUST BE EARTHED AND EQUIPOTENTIALLY BONDED



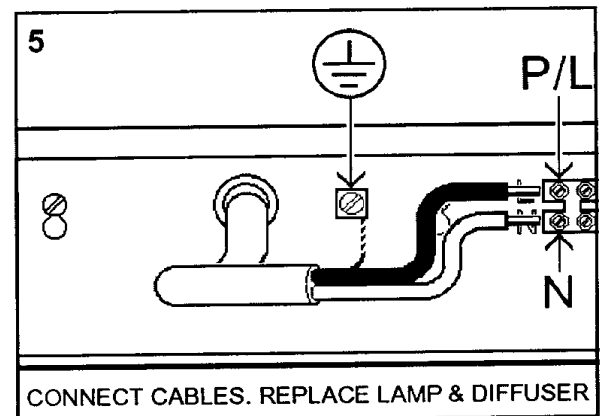
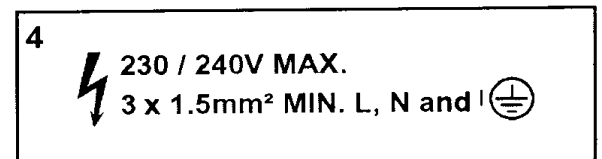
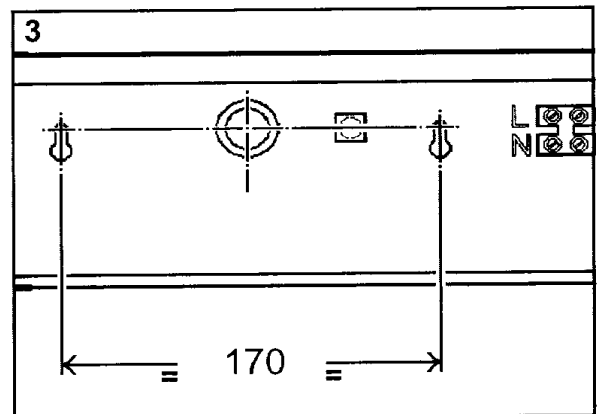
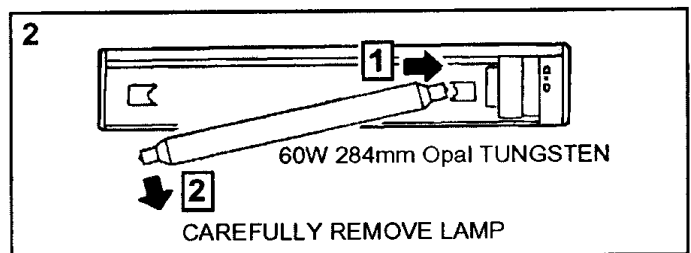
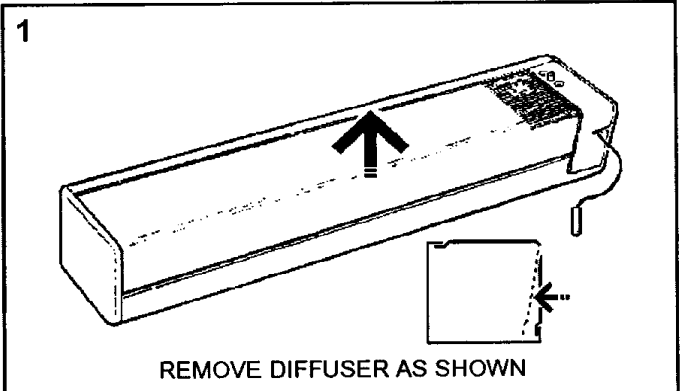
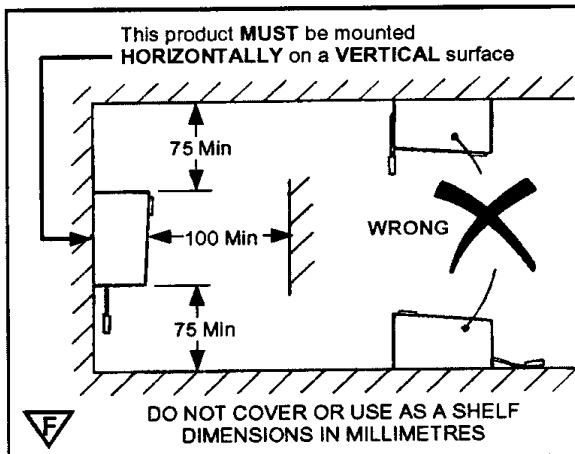
THIS FITTING IS SUITABLE FOR MOUNTING ON NORMALLY FLAMMABLE SURFACES



INDICATES THE SAFEST MINIMUM DISTANCE OF LAMP FROM A FLAMMABLE SURFACE

Throughout these instructions the following coding may be used:-

LINE - L BROWN OR RED  
NEUTRAL - N BLUE OR BLACK  
EARTH -  $\oplus$  GREEN/YELLOW OR BARE CONDUCTOR



**SECTOR**

Rexel Senate Limited  
Senate House, 6-16 Southgate Road, Potters Bar, Hertfordshire EN6 5DS  
Tel: (01707) 640 000 Fax: (01707) 640 111 www.rexelsenate.co.uk

**REXEL SENATE**  
ELECTRICAL SUPPLIES