

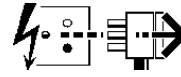
4064189  
4064190  
4064191  
4064192



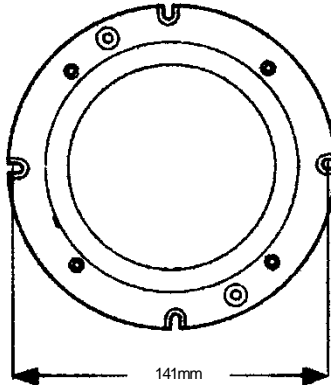
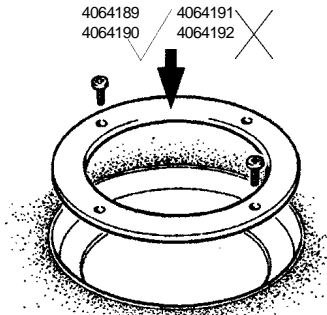
IK09

Intermittent Driveover.  
2000Kg at 20mph (30kph)

**Disconnect from mains supply before replacing the fuse or the lamp.**  
Vor dem Einsetzen der Sicherung oder der Lampe Spannungsfreiheit herstellen.  
**Débrancher le secteur avant de remplacer le fusible ou l'ampoule.**  
Desconectar del suministro de la red, antes de realizar la sustitución del fusible o de la lámpara.  
**Voor het vervangen van lamp of zekering, eerst netspanning uitschakelen.**  
Koppla bort spänningen före byte av en säkring eller en lampa.

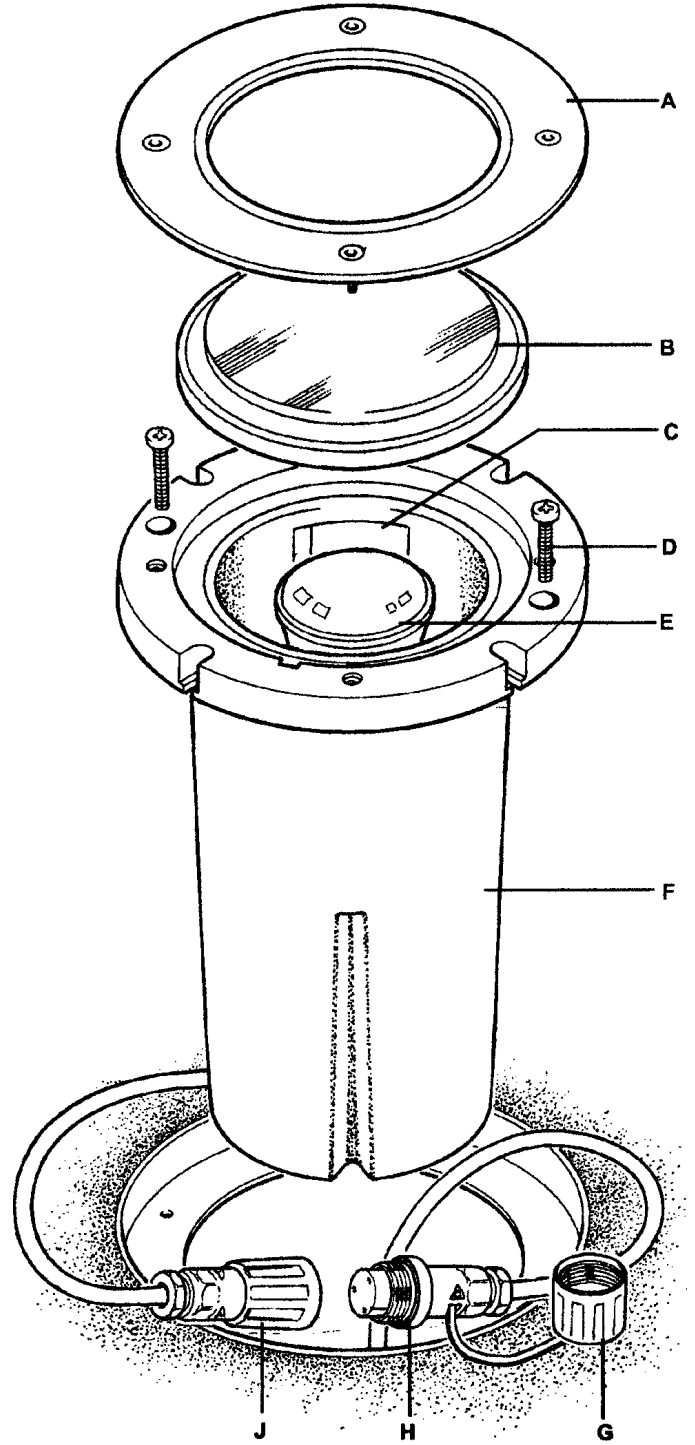
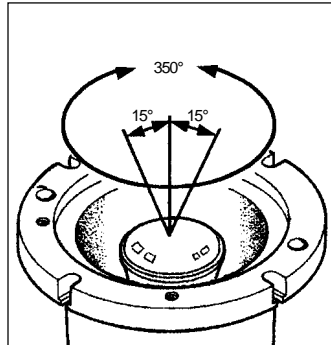
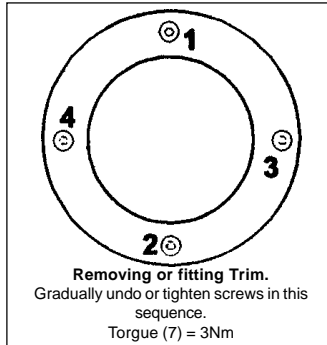


**Switch Off**  
Abschalten  
**Débrancher**  
Desconectar  
**Uitschakelen**  
Stäng av



**WARNING!**  
**WHEN IN USE THE GLASS AND TRIM OF THIS PRODUCT REACH A HIGH TEMPERATURE WHICH WILL BURN THE SKIN IF TOUCHED.**

**IMPORTANT!**  
ENSURE THAT SEAL FACES ARE CLEANED WHEN INSTALLING OR RE-LAMPING



**Installation Procedure**

Remove trim (A) and Glass (B).

Connect socket (J) and plug (H).  
NOTE: Ensure that connection is tight and do not discard cap (G).

Arrange cable and connector neatly in ground socket.

Locate housing (F) in socket and secure with supplied screws (D).

Fit appropriate lamp (E) as indicated on label (C).

Adjust lamp to required position.

Place glass (B) in position and fit trim (A).

**Suitable for use indoors**  
Geeignet für Innenanwendung  
**Pour un usage interne**  
Adecuada para uso en interiores  
**Geschikt voor gebruik binnen**  
Lämplig för inomhusbruk



**Replace any cracked protective shield.**

Dieses symbol bedeutet, dass defekte Schutzgläser sofort ersetzt werden müssen.

**Ce symbole indique que vous devez remplacer tout verre de protection fêlé.**

Este símbolo indica que hay que reemplazar filtros en caso de rotura o desperfectos.

**Dette symbolet indikerer at alle ødelagte (sprukne) sikkerhetsglass må skiftes.**

Valaisinta ei saa käyttää ilman suoja-alasia vioitunut suoja-lasi on vaihdettava uuteen ennen valaisimen käyttöön ottoa.

< Millimetres >



This Electrical Product **MUST** be recycled.



11.07