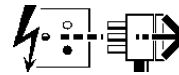


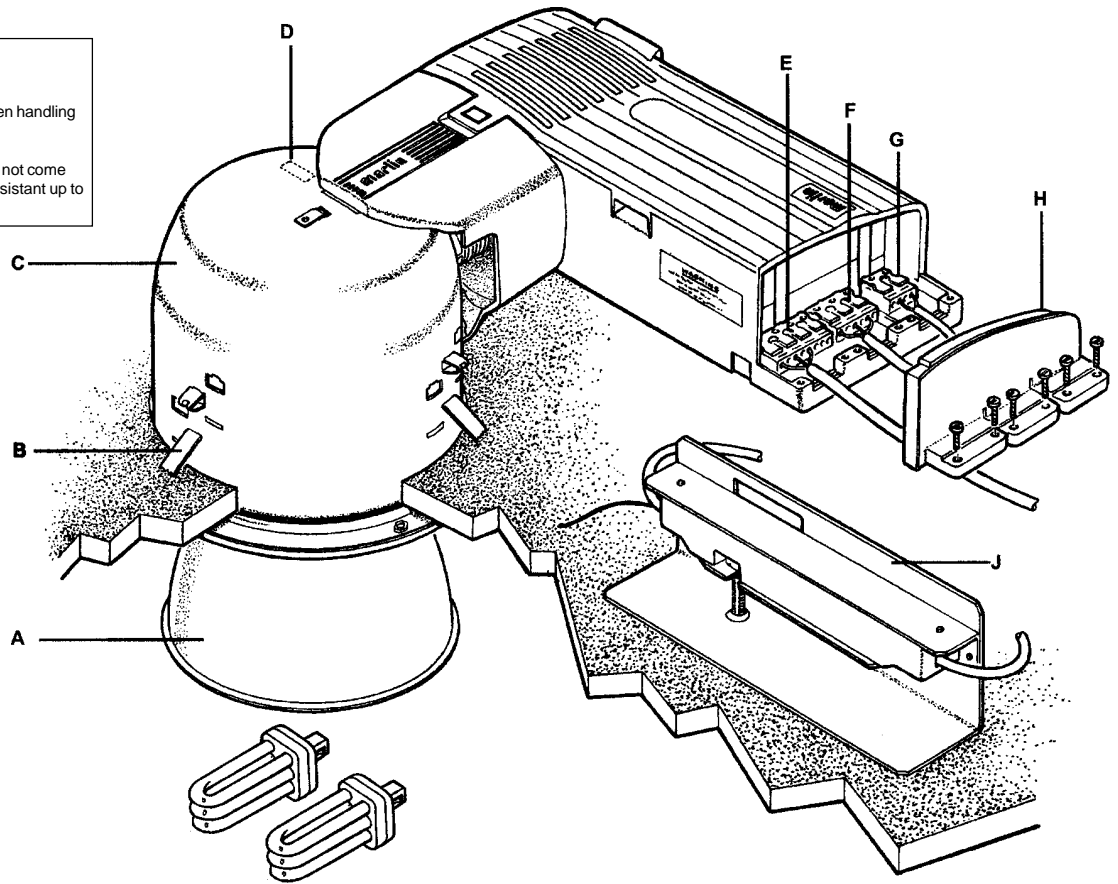
4063958
4063960
4063962
4064006
4064008
4064010

Disconnect from mains supply before replacing the fuse or the lamp.
Vor dem Einsetzen der Sicherung oder der Lampe Spannungsfreiheit herstellen.
Débrancher le secteur avant de remplacer le fusible ou l'ampoule.
Desconectar del suministro de la red, antes de realizar la sustitución del fusible o de la lámpara.
Voor het vervangen van lamp of zekering, eerst netspanning uitschakelen.
Koppla bort spänningen före byte av en säkring eller en lampa.



Switch Off
Abschalten
Débrancher
Desconectar
Uitschakelen
Stäng av

IMPORTANT NOTES
1. Install in still air voids only.
2. Use supplied polythene glove when handling the reflector.
3. Any external cable or wiring must not come into contact with gear unit unless resistant up to 85°.



Installation Procedure

Refer to table for aperture and recess dimensions.

Prepare aperture in mounting surface.

Remove reflector (A) and check voltage rating marked on label (D) conforms with mains electrical supply.

Remove end panel (H).

Remove mounting clips (B) from reflector housing (C) as shown in Fig. 1.

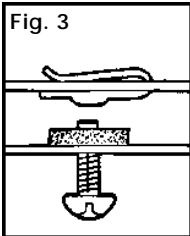
Connect mains supply leads in terminal block (E) and cable leads from receiver (J) in terminal blocks (F) and (G) as shown on wiring diagram on leaflet supplied with RF Receiver.

Fit end panel (H) ensuring all cables are securely clamped.

Refer to table on left and secure housing (C) in ceiling aperture with mounting clips (B) as shown in Fig. 2.

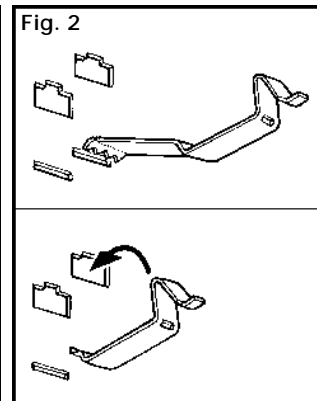
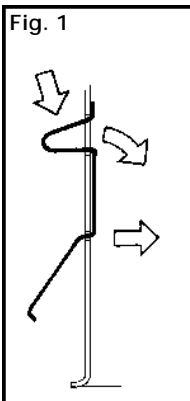
Fit reflector (A) in housing (C) ensuring that rubber washer is positioned on end of the screw as shown in Fig. 3.

Fit appropriate lamps as indicated on label (D).



Ceiling Thickness (mm)	Fixing Slot
5 - 16	Bottom
16 - 31	Top

To avoid flexing of sheet metal tiles use a 6mm backing board



	A	B	C
1 x 13/18W	175	240	200
1 x 26/32W 2 x 13/18W	200	250	200
1 x 42W 2 x 26/32W	225	260	200

Suitable for use indoors
Geeignet für Innenanwendung
Pour un usage interne
Adecuada para uso en interiores
Geschikt voor gebruik binnen
Lämplig för inomhusbruk



Replace any cracked protective shield.
Dieses symbol bedeutet, dass defekte Schutzgläser sofort ersetzt werden müssen.
Ce symbol indique que vous devez remplacer tout verre de protection fêlé.
Este símbolo indica que hay que reemplazar filtros en caso de rotura o desperfectos.
Dette symbolet indikerer at alle ødelagte (sprukne) sikkerhetsglass må skiftes.
Valaisinta ei saa käyttää ilman suojalasiasa vioitunut suojalasi on vaihdettava uuteen ennen valaisimen käyttöön ottoa.

< Millimetres >



This Electrical Product **MUST** be recycled.



11.07