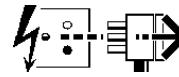
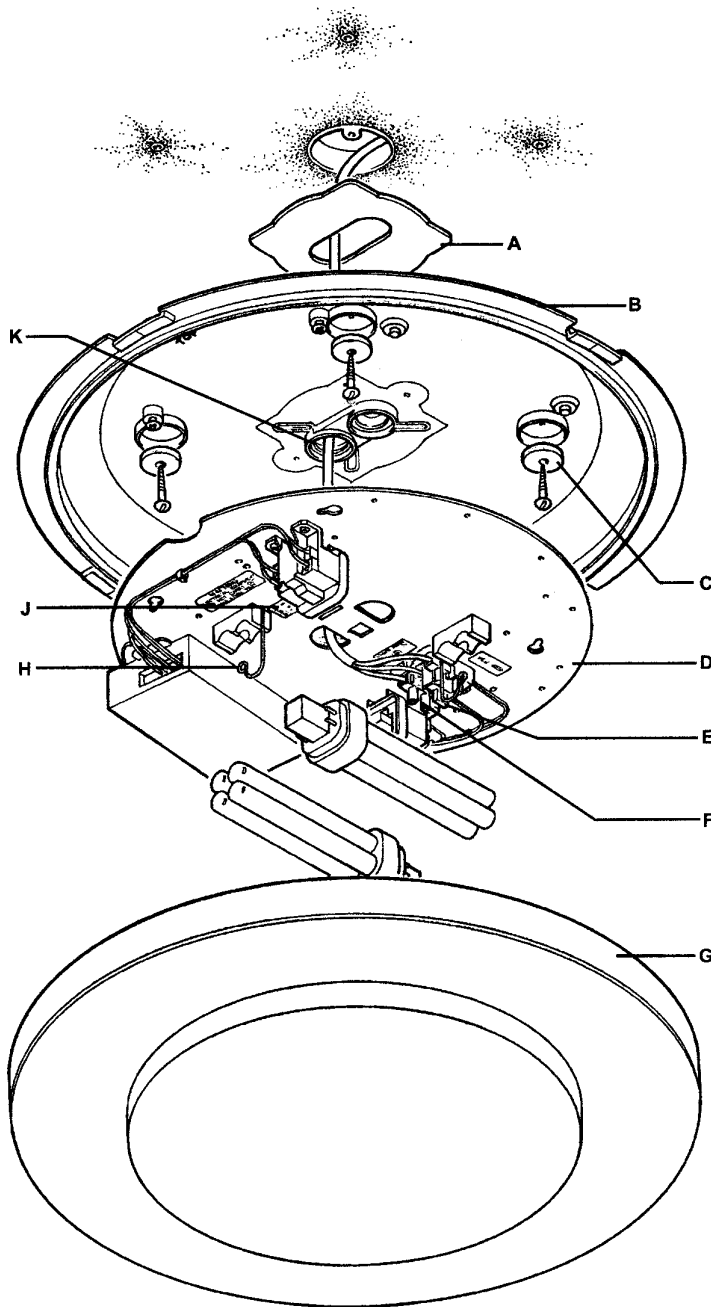


Disconnect from mains supply before replacing the fuse or the lamp.
 Vor dem Einsetzen der Sicherung oder der Lampe Spannungsfreiheit herstellen.
Débrancher le secteur avant de remplacer le fusible ou l'ampoule.
 Desconectar del suministro de la red, antes de realizar la sustitución del fusible o de la lámpara.
Voor het vervangen van lamp of zekering, eerst netspanning uitschakelen.
 Koppla bort spänningen före byte av en säkring eller en lampå.



Switch Off
 Abschalten
Débrancher
 Desconectar
Uitschakelen
 Stång av



Checklist:
 1. Gasket 2. Grommet 3. Silicone Sleeving 4. Seal Washers

Installation Instructions

Remove trim/diffuser assembly (G). See Fig.3.

Loosen gear tray fixing screws and remove gear tray (D).

Prepare suitable fixings in wall or ceiling at 156mm centres - see Fig. 1.

NOTE: Housing (B) is marked TOP if wall mounting.

Drill 5mm diameter outrigger holes in housing, and M4 clearance holes if fixing to conduit box.
 NOTE: Outrigger holes must be used in all installations.

Stick sealing gasket (A) on housing (B).

Fit supplied grommets (K) in housing - see Fig. 2.

Pierce and pass mains supply cable through grommet/s.

Secure housing (B) to mounting surface using suitable fixing screws and seal washers (C). If applicable secure housing to conduit box with M4 screws.
 NOTE: Sealing side of washer to face housing.

NOTE: Apply waterproof sealant around supply cable, grommets and heads of all housing screws.

Pass supply cable through gear tray (D) and fit gear tray.
 NOTE: Tray will only fit in one position.

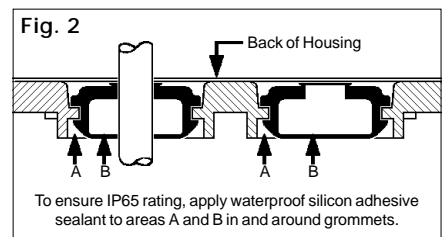
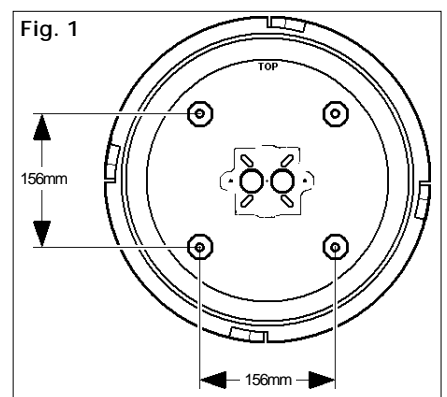
Cover all electrical supply cable leads with supplied silicone sleeving.

Connect cable leads in respectively marked terminals in terminal block (F).

Fit appropriate lamps (2 x 18W TC-DE) as indicated on label (H) ensuring they are held by clips (J).

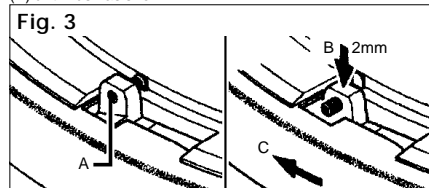
Fit trim/diffuser assembly (G) - see Fig. 3.

NOTE: Luminaire is protected by 3A fuse (E).



Removing Diffuser Assembly.
 Using a M4 socket key, unscrew (A) a minimum of 4mm. Depress (B) down 2mm, and rotate trim/diffuser (C) anti-clockwise.

Fitting Trim/Diffuser Assembly.
 Rotate clockwise until it clicks into position and tighten screw (A) until flush as shown.

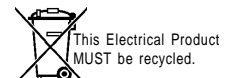


Suitable for use indoors
 Geeignet für Innenanwendung
 Pour un usage interne
 Adecuada para uso en interiores
 Geschikt voor gebruik binnen
 Lämpig för inomhusbruk



Replace any cracked protective shield.
 Dieses symbol bedeutet, dass defekte Schutzgläser sofort ersetzt werden müssen.
Ce symbole indique que vous devez remplacer tout verre de protection fêlé.
 Este símbolo indica que hay que 'reemplazar filtros en caso de rotura o desperfectos'.
Dette symbolet indikerer at alle ødelagte (sprukne) sikkerhetglass må skiftes.
 Valaisinta ei saa käyttää ilman suojalasiasa vioittunut suojalasi on vaihdettava uuteen ennen valaisimen käyttöön ottoa.

< Millimetres >



11.07