

LED150 Recessed Dimming and Emergency

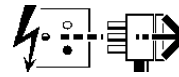
Installation Instructions
 SS500



This Product
MUST be EARTHED

IS582C

Disconnect from mains supply before replacing the fuse or the lamp.
 Vor dem Einsetzen der Sicherung oder der Lampe Spannungsfreiheit herstellen.
Débrancher le secteur avant de remplacer le fusible ou l'ampoule.
 Desconectar del suministro de la red, antes de realizar la sustitución del fusible o de la lámpara.
Voor het vervangen van lamp of zekering, eerst netspanning uitschakelen.
 Koppla bort spänningen före byte av en säkring eller en lampa.



Switch Off
 Abschalten
Débrancher
 Desconectar
Uitschakelen
 Stäng av

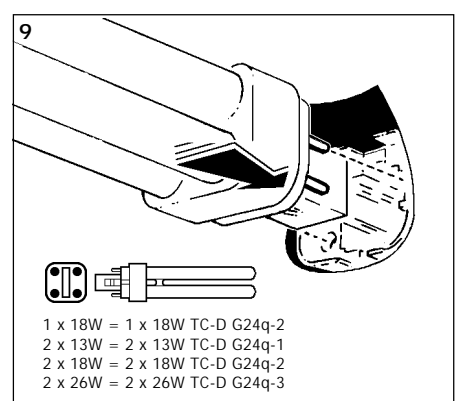
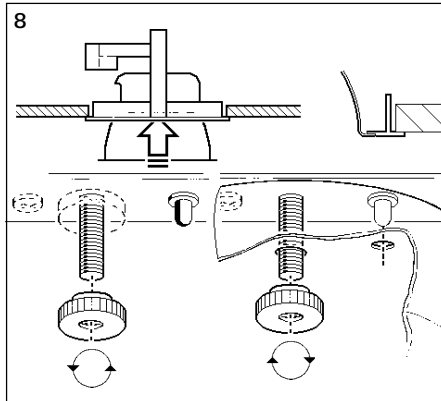
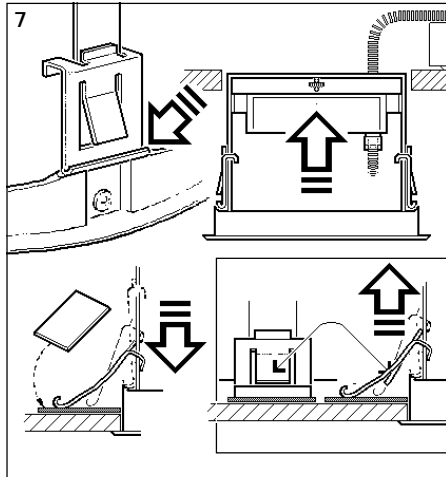
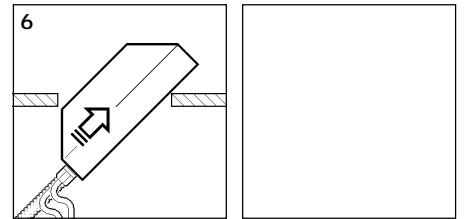
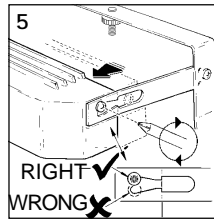
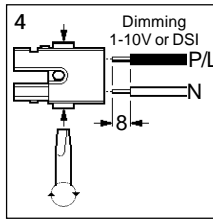
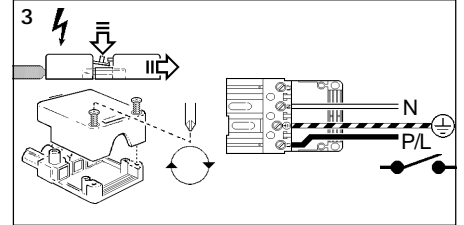
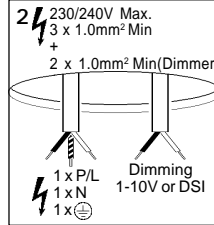
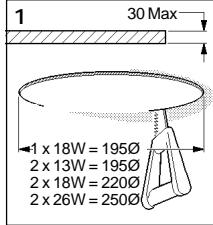
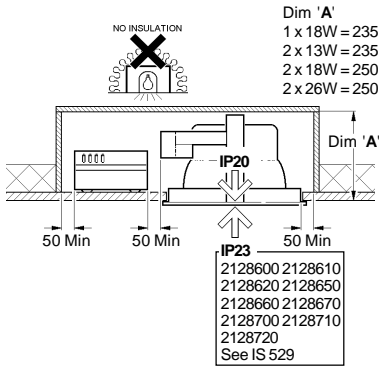
Dimming

1 x 18W with Lamp
 2920974 2921008
 2921009 2921010
without Lamp
 2921503 2921504
 2921505 2921506

2 x 13W with Lamp
 2921095 2921096
 2921097 2921098
without Lamp
 2921507 2921508
 2921509 2921510

2 x 18W with Lamp
 2920976 2920977
 2920978 2920979
without Lamp
 2921511 2921512
 2921513 2921515

2 x 26W with Lamp
 2921099 2921100
 2921002 2921003
without Lamp
 2921516 2921517
 2921518 2921519



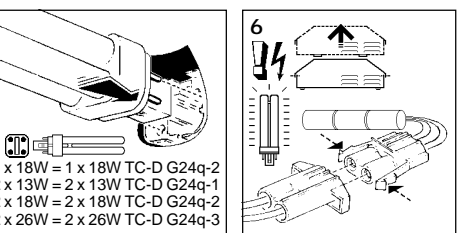
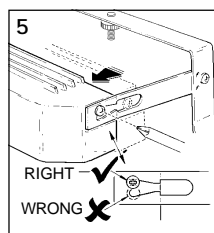
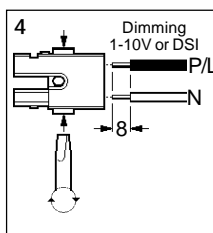
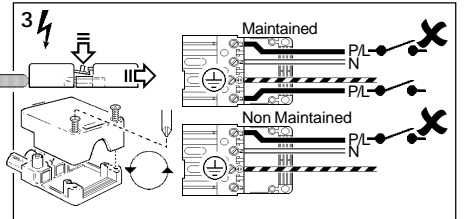
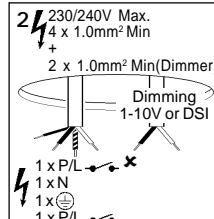
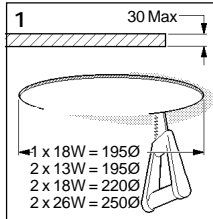
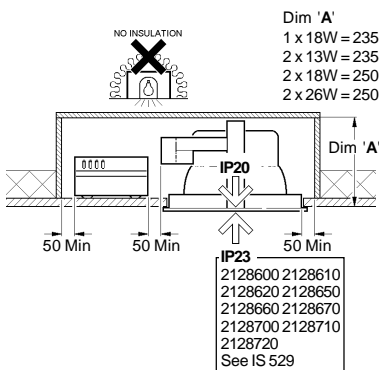
Dimming & Emergency

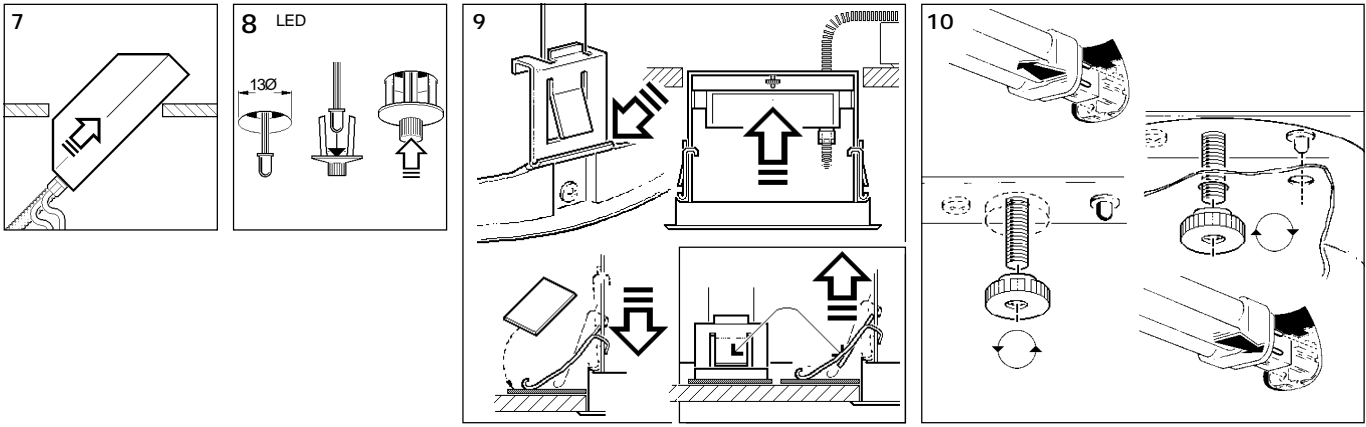
1 x 18W with Lamp
 2920958 2920959
 2920960 2920961
without Lamp
 2921481 2921482
 2921483 2921484

2 x 13W with Lamp
 2920989 2920990
 2920991 2920992
without Lamp
 2921485 2921486
 2921487 2921488

2 x 18W with Lamp
 2920993 2920994
 2920995 2920996
without Lamp
 2921489 2921490
 2921491 2921492

2 x 26W with Lamp
 2920997 2920998
 2920980 2920999
without Lamp
 2921493 2921494
 2921495 2921496





- (OLD NUMBER)
- 2920974(NS42001) 2920976(NS42009) 2920977(NS42010) 2920978(NS42011)
 - 2920979(NS42012) 2921002(NS42015) 2921003(NS42016) 2921008(NS42002)
 - 2921009(NS42003) 2921095(NS42005) 2921096(NS42006) 2921097(NS42007)
 - 2921098(NS42008) 2921099(NS42013) 2921010(NS42004) 2921100(NS42014)
 - 2921503(NS52001) 2921504(NS52002) 2921505(NS52003) 2921506(NS52004)
 - 2921507(NS52005) 2921508(NS52006) 2921509(NS52007) 2921510(NS52008)
 - 2921511(NS52009) 2921512(NS52010) 2921513(NS52011) 2921515(NS52012)
 - 2921516(NS52013) 2921517(NS52014) 2921518(NS52018) 2921519(NS52016)
- (OLD NUMBER)
- 2920958(NS42501) 2920959(NS42502) 2920960(NS42503) 2920961(NS42504)
 - 2920960(NS42515) 2920969(NS42505) 2920990(NS42506) 2920991(NS42507)
 - 2920992(NS42508) 2920993(NS42508) 2920994(NS42510) 2920995(NS42511)
 - 2920996(NS42512) 2920997(NS42513) 2920998(NS42514) 2920999(NS42516)
 - 2921481(NS52501) 2921482(NS52502) 2921483(NS52503) 2921484(NS52504)
 - 2921485(NS52505) 2921486(NS52506) 2921487(NS52507) 2921488(NS52508)
 - 2921489(NS52509) 2921490(NS52510) 2921491(NS52511) 2921492(NS52512)
 - 2921493(NS52513) 2921494(NS52514) 2921495(NS52515) 2921496(NS52516)

Routine Maintenance

Routine maintenance must be carried out in compliance with the requirements of BS5266:Part 1 - Emergency Lighting of Premises.

The following tests assume a three-hour system.

- Daily:**
1. Check that any recorded faults have been rectified.
 2. Check that the maintained emergency lamp is operative.
 3. Check that the charge indicator light is illuminated.
- Monthly:**
(Functional)
1. Simulate a mains failure and check that the emergency lamp illuminates and remains on for several minutes.
 2. After reverting back to mains supply check the charge indicator light is illuminated.
- Six Monthly:**
(1 Hour)
1. Simulate a mains failure and check that the emergency lamp illuminates and remains on for one hour.
 2. After reverting back to mains supply check the charge indicator light is illuminated.
 3. On restoring the mains supply the unit will require approximately 24 hours to recharge before becoming fully operational.
- Three Years:**
(3 Hours)
1. Simulate a mains failure and check that the emergency lamp illuminates and remains on for at least 3 hours.
 2. After reverting back to mains supply check the charge indicator light is illuminated.
 3. On restoring the mains supply the unit will require approximately 24 hours to recharge before becoming fully operational.

It is recommended that the battery packs and lamps are replaced every 4 years or sooner if the units performance fails to meet the above requirements. To maintain optimum unit performance, only approved replacement battery packs and lamps must be used.

All routine maintenance checks must be recorded on the unit Routine Test Record and must be made available for inspection at all times.

Installation and Commissioning Record

Luminaire Model Ref: _____ Location: _____

Installed By: _____ Date: _____

Commissioned by: _____ Date: _____
(Full Charge and Discharge Cycle)

Routine Test Record

Monthly Test	First Year		Second Year		Third Year		Forth Year		Fifth Year	
	Signed	Dated	Signed	Dated	Signed	Dated	Signed	Dated	Signed	Dated
Functional										
Functional										
Functional										
Functional										
Functional										
1 Hour Duration										
Functional										
Functional										
Functional										
Functional										
Functional										
1 Hour Duration										
3 Hour Duration										

Suitable for use indoors

Geeignet für Innenanwendung

Pour un usage interne

Adecuada para uso en interiores

Geschikt voor gebruik binnen

Lämplig för inomhusbruk



Replace any cracked protective shield.

Dieses symbol bedeutet, dass defekte Schutzgläser sofort ersetzt werden müssen.

Ce symbole indique que vous devez remplacer tout verre de protection fêlé.

Este simbolo indica que hay que reemplazar filtros en caso de rotura o desperfectos.

Dette symbolet indikerer at alle ødelagte (sprukne) sikkerhetsglass må skiftes.

Valaisinta el saa käyttää ilman suojalasia vioittunut suojalasi on vaihdettava uuteen ennen valaisimen käyttöön ottoa.



< Millimetres >



This Electrical Product MUST be recycled.



02.08

Concord

Avis Way Newhaven East Sussex BN9 0ED
T 0870 606 2030 F 01273 512 688 email: information@concordmarlin.com

