

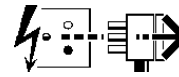
# LED100 -26W Emergency

This Product **MUST** be EARTHED

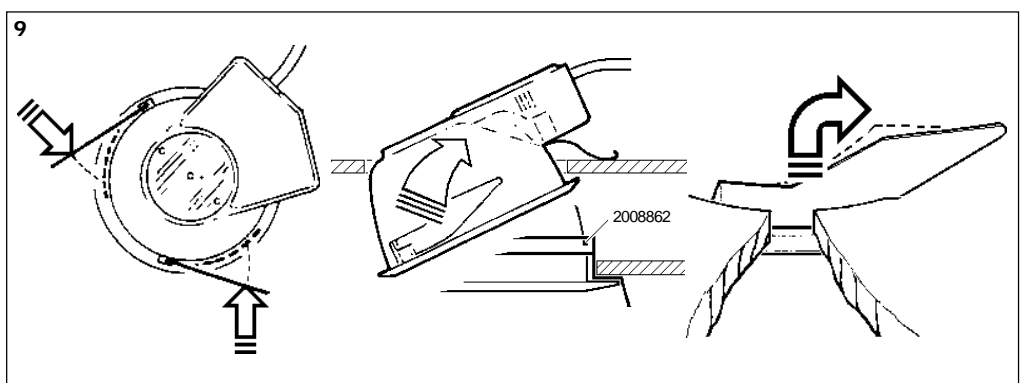
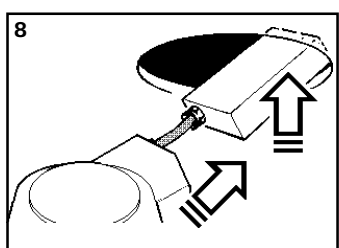
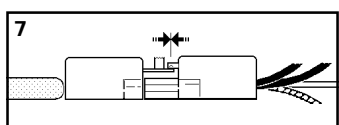
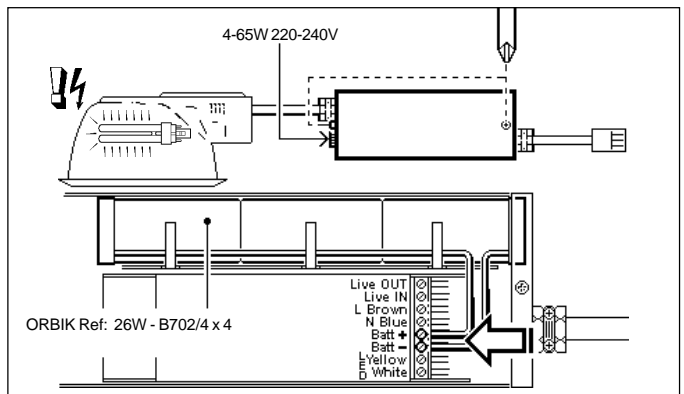
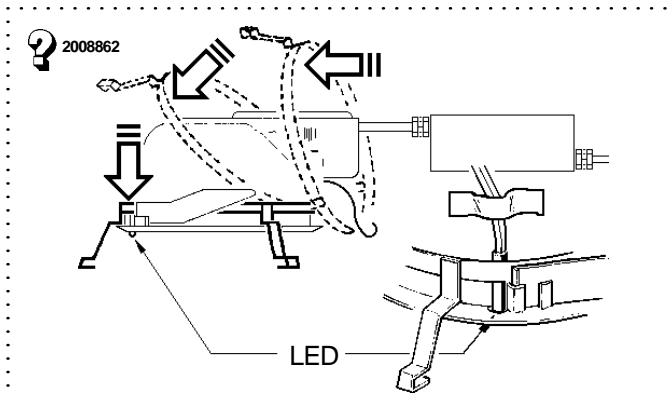
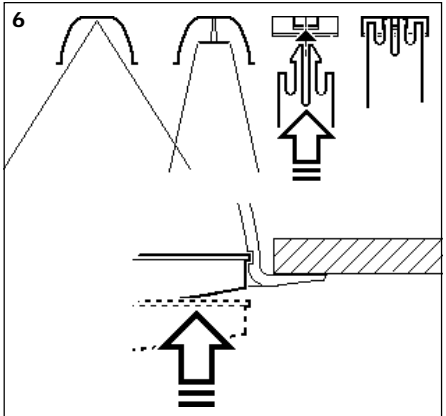
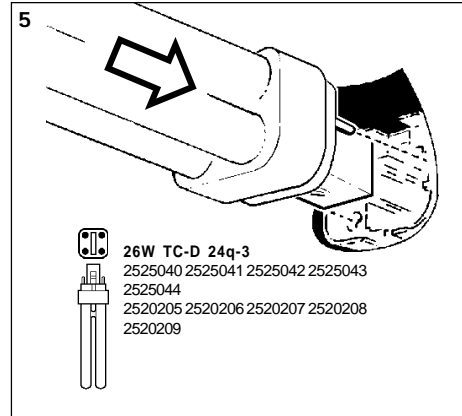
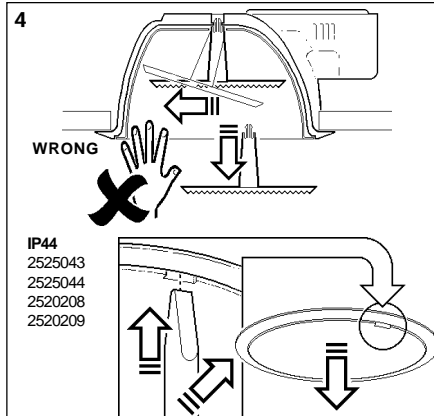
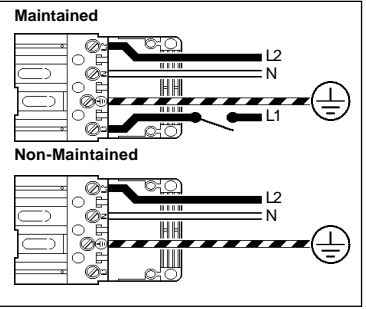
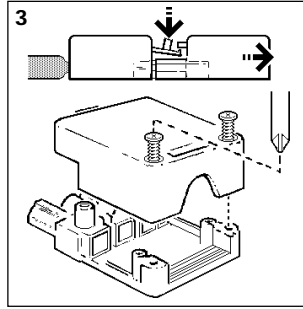
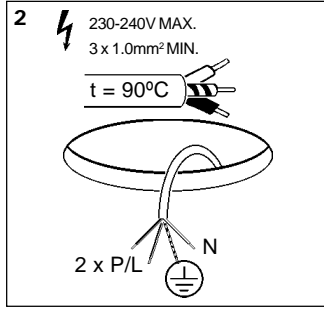
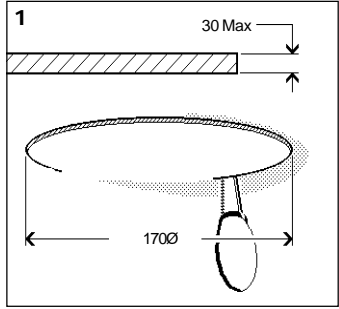
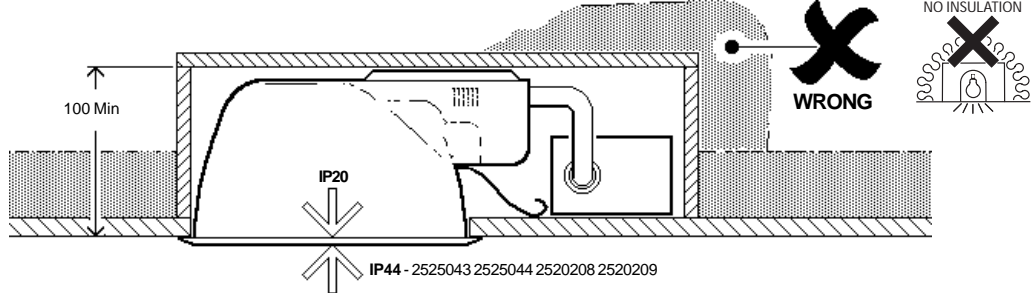
# IS624A

- + **2525040 2525041 2525042**  
**2525043 2525044**
- **2520205 2520206 2520207**  
**2520208 2520209**

**Disconnect from mains supply before replacing the fuse or the lamp.**  
 Vor dem Einsetzen der Sicherung oder der Lampe Spannungsfreiheit herstellen.  
**Débrancher le secteur avant de remplacer le fusible ou l'ampoule.**  
 Desconectar del suministro de la red, antes de realizar la sustitución del fusible o de la lámpara.  
**Voor het vervangen van lamp of zekering, eerst netspanning uitschakelen.**  
 Koppla bort spänningen före byte av en säkring eller en lampa.



**Switch Off**  
 Abschalten  
**Débrancher**  
 Desconectar  
**Uitschakelen**  
 Stäng av



**Routine Testing.**

Testing should be carried out in accordance with the recommendations of BS 5266.

- 1.) A monthly functional test.
  - 2.) Twice yearly, a one hour duration test.
  - 3.) Every three years, a full three hour duration test.
- (The above tests assume a three hour system.)**
- 4.) Batteries shall be replaced when the luminaire no longer meets 3 hours duration performance.
  - 5.) Testing could be performed by interrupting the fixed phase supply for the test duration, during which the luminaire should remain lit.

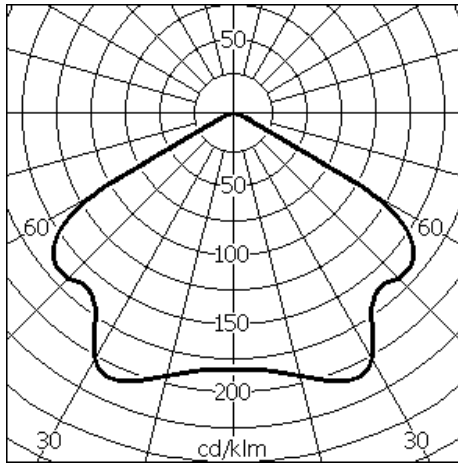
To assist with this testing, a test record chart is supplied below. The test engineer should sign and date each test.

If the charge indicator (LED) is **unlit**, this signifies a **fault**. To increase the chance of a fault being reported between monthly tests, it is desirable that occupants are made aware of the purpose of the indicator.

This module should not be modified or repaired by any person other than those nominated by the manufacturer. **ANY** unauthorised modifications may render the module unsafe and will invalidate our warranty and conformance to any safety standards that may apply. The company will accept no responsibility for any modified modules, or for damage caused as a result of any modifications. All details are given for guidance only and do not constitute a contract. We reserve the right to change the characteristics of products without notice.

| Test Record | Type.....      | Location..... |          |          |          |          |  |
|-------------|----------------|---------------|----------|----------|----------|----------|--|
| Month Test  |                | 1st Year      | 2nd Year | 3rd Year | 4th Year | 5th year |  |
|             | 1. Functional  |               |          |          |          |          |  |
|             | 2. Functional  |               |          |          |          |          |  |
|             | 3. 1Hour       |               |          |          |          |          |  |
|             | 4. Functional  |               |          |          |          |          |  |
|             | 5. Functional  |               |          |          |          |          |  |
|             | 6. Functional  |               |          |          |          |          |  |
|             | 7. Functional  |               |          |          |          |          |  |
|             | 8. Functional  |               |          |          |          |          |  |
|             | 9. 1Hour       |               |          |          |          |          |  |
|             | 3 Hour         |               |          |          |          |          |  |
|             | 10. Functional |               |          |          |          |          |  |
|             | 11. Functional |               |          |          |          |          |  |
|             | 12. Functional |               |          |          |          |          |  |

**V .ANGLE VISUAL**



**Suitable for use indoors**  
 Geeignet für Innenanwendung  
**Pour un usage interne**  
 Adecuada para uso en interiores  
**Geschikt voor gebruik binnen**  
 Lämpelig för inomhusbruk



This Electrical Product  
**MUST** be recycled.



< Millimetres >

**Concord:marlin**

Avis Way Newhaven East Sussex BN9 0ED  
 T 0870 606 2030 F 01273 512 688 email: information@concordmarlin.com

