
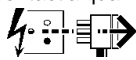


FEH  These products **MUST** be **EARTHED**

Installation Instructions for: **2425746 2425747 2425748**

Safety

Follow these instructions carefully to ensure safe and reliable operation. Isolate mains supply before insulation, maintenance or replacing the lamp. Follow the appropriate national wiring regulations, if in any doubt contact a qualified electrician.

 Disconnect from mains supply before installation, maintenance or replacing the lamp.

Lamps reach maximum temperatures rapidly. Take care when adjusting, relamping or cleaning.

Sylvania accepts no responsibility for modified products or for the effects of cleaning solvents or for the accumulation of dust or dirt. The products must be installed in accordance with these instructions. FEH must not be modified. Any modification may render the product unsafe. FEH must not be covered with any heat insulating material. Air flow around this fitting must not be restricted. Note that the minimum distance to adjacent surfaces is marked on the product label (↔). Take care that the safety glass is not scratched or damaged. Replace safety glass immediately when scratched, damaged or after lamp shattering.

Lamp disposal

Dispose of defective lamps in accordance with the manufacturers' recommendations. It is the users responsibility to ensure that the lamp disposal is carried out in accordance with local regulations.

Cleaning

Switch off the mains supply. The fitting and lamp can quickly become hot. Ensure that both have cooled adequately before cleaning the fitting. Use only a soft damp cloth and soapy water on the outside. The reflector and lamp must only be cleaned with a soft cloth and alcohol.

Mounting

FEH floodlights must only be mounted in a fixed horizontal position. The 1000W and 1500W are suitable for OUTDOOR use only.

Power Connection

Fixture must be connected to an individual fused circuit.

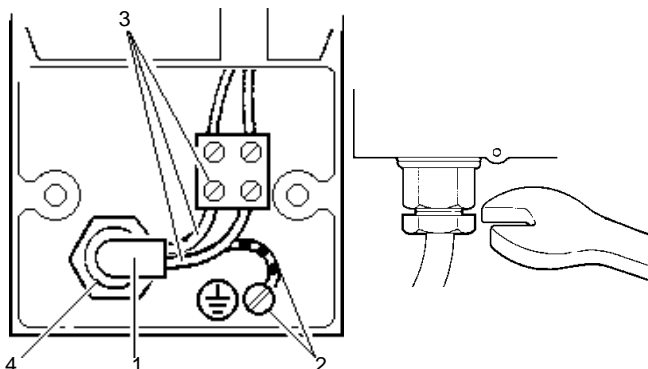
1. Use 8-13mm Dia. 3 core cable for installation
2. Remove wiring box cover.
3. Pass 3 core cable through cable entry gland 4 (gland nut, skid washer and gland ring)
4. Remove 50mm of cable outer sleeving 1.
5. Fit the large silicone sleeve over the cable.
6. Fit one of the silicone sleeves provided to the earth wire (green/yellow) and forming a loop as shown in the picture, connect to the earth terminal.
7. Fit the two remaining silicon sleeves to the live (brown or black) and neutral (blue) wires. Trim these wires to length and fit to the terminal block as shown 3.

Note: The silicone sleeving provided **MUST** be used to avoid heat problems.

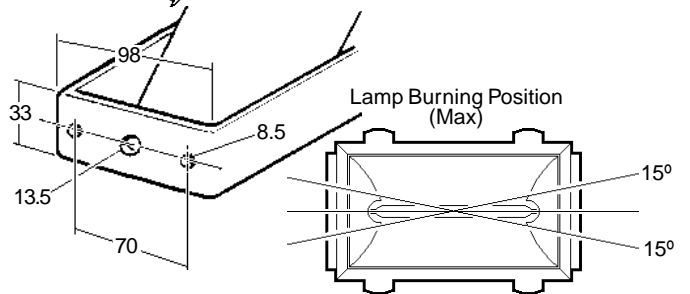
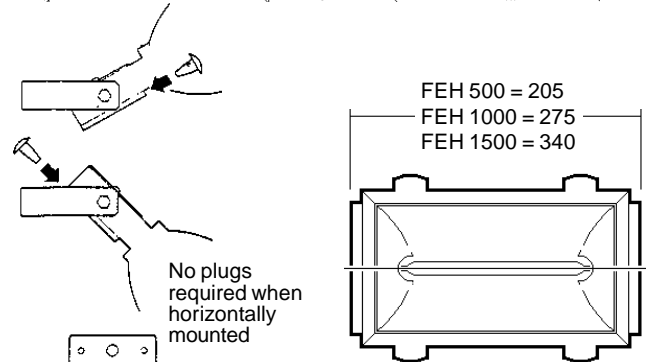
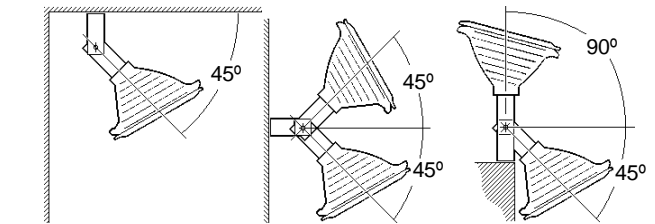
8. Tighten the gland nut to make the unit water-tight and provide cable restraint.

9. Replace wiring box cover.

10. After completing the installation note the suppliers name, address and purchase date, then hand this instruction sheet to the person responsible for lighting maintenance.



Mounting



Installation of lamp(R7s)

1. To open floodlight, loosen (but do not remove) the four winged nuts. Lift up the two winged nuts on the top and carefully let down the front cover.
2. Do not touch the lamp with bare hands! Fingerprints subsequently burn into the quartz surface and reduce the lamp life. Install the lamp as shown below.
3. Lead one lamp-end through the slot in the side of the reflector.
4. Place the other lamp-end into the socket.
5. Press the lamp further into the socket against the spring until it is possible to locate the other end.

IMPORTANT

To make a good electrical contact turn the lamp a few times in the socket.

