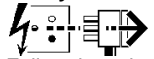


Mains Voltage Track Packs

Installation Instructions for: NLDL130 NLDL131

Safety



Disconnect from Mains supply before installation, Maintenance or replacing the lamp.

Follow these instructions carefully to ensure safe and reliable operation. Retain this leaflet for future reference

This is a single phase, two circuit track for 250V 16A 50/60Hz operation (3500W at 240V).

For use with 2 circuits, 2 switching wires are needed (Fig.2).

To use as single circuit track, fit loop on last length in system at unwired end (Fig.3).

The choice of circuit is determined by the alignment of the track adaptor.

Follow the appropriate national wiring regulations, if in any doubt consult a qualified electrician.

The product must not be modified. Any modification will negate the safety mark/approvals and may render the product unsafe.

Newlec accepts no responsibility for modified products.

The track system has been designed to conform with international standard IEC 570. The track can be used within normal arms reach.

It must not be used outdoors or in bathrooms.

It is only suitable for fixed installation. Follow the installation instructions carefully.

Maximum load per fixing point is 2Kg.

After completing the installation, please hand this instruction sheet to the person responsible for lighting maintenance. Please write down the name of your supplier and date of purchase.

Installation (Fig.1)

Decide where to position the track.

Drill holes for surface clips **2** and fix with screws **3** (supplied) and plugs **4**.

Remove longer plastic cover **5** from track.

Remove circular knock-out **A**.

Feed supply cables **6** (not included) through knock-out **A**.

Align track **1** and fix to mounting surface by rotating surface clips **2**.

Connect the cables **6** to the terminal block **7** (Fig.2).

Screw longer plastic cover **5** back into the track.

The spotlights can now be inserted into the track.

Through Wiring (Fig. 4)

Remove the shorter plastic cover **8** from the track **9** already fixed into position.

Remove the longer plastic cover **10** from the loose track **11**.

Fix surface clips for loose track **11** as described above.

Fold down flap **12** for straight connection **a**, or flap **13** for right angle connection **b**, and slide the second track into position.

Fix second track **11** to mounting surface by rotating surface clips.

Connect the two terminal blocks **15** using the four connection cables **14**.

Replace the shorter **8** and then the longer **10** plastic covers.

Fig.1

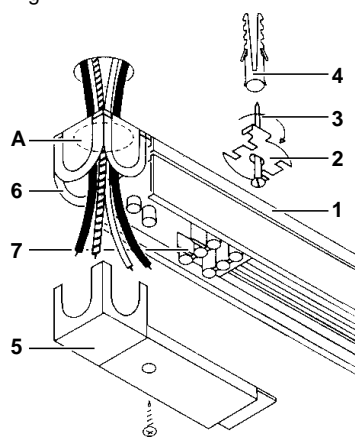


Fig.2

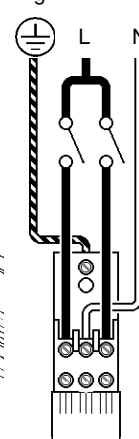


Fig.3

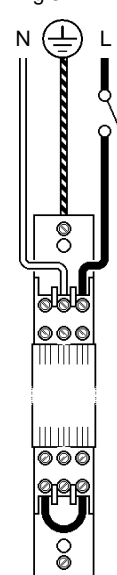
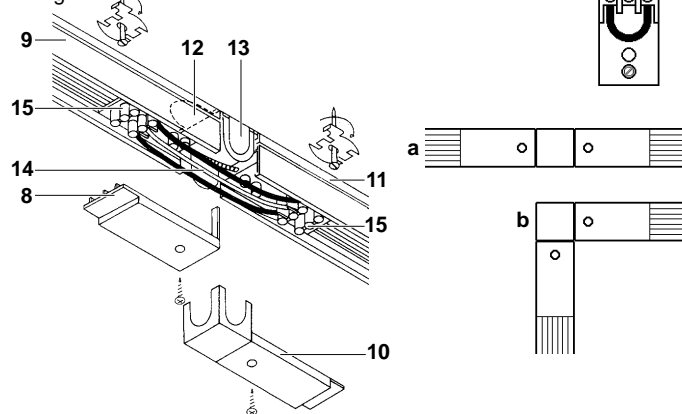
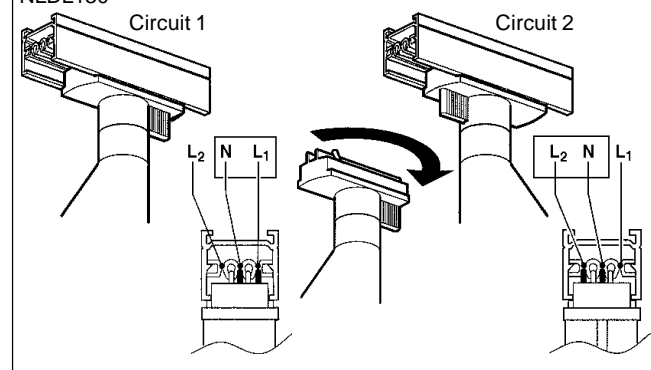


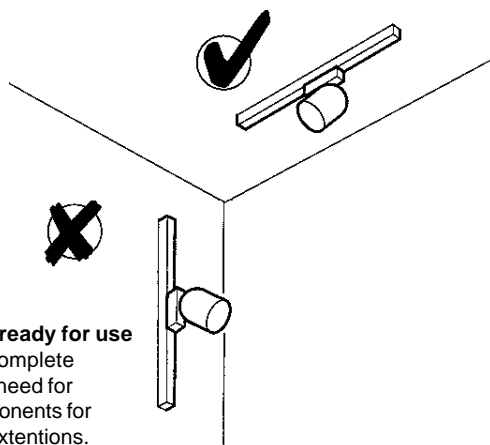
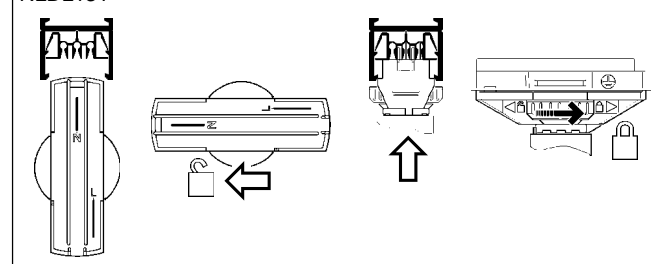
Fig.4



NLDL130



NLDL131



Complete and ready for use

This track is a complete system with no need for additional components for straight or 90° extensions.

Should you have any queries with this product, please contact your local Newey and Eyre branch.



This Electrical Product MUST be recycled.