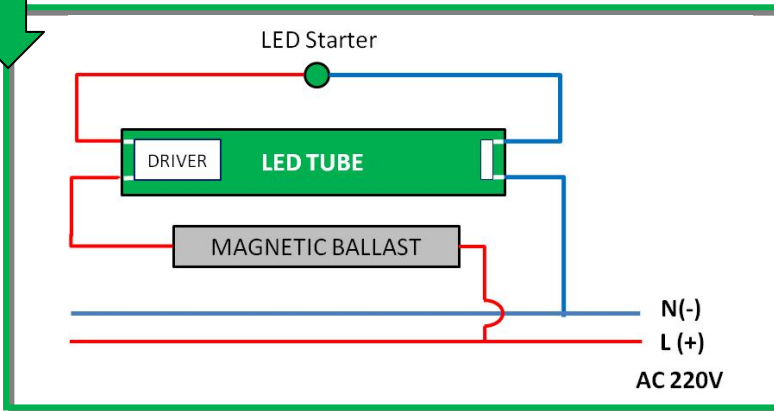
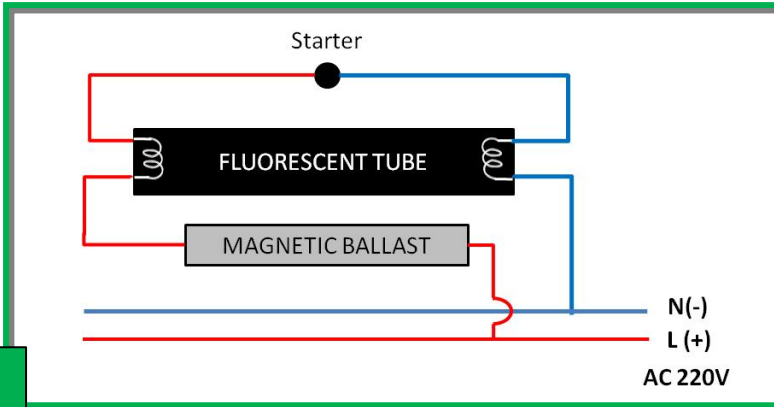


## Wiring Example of a **single circuit luminaire with magnetic or low loss ballast**

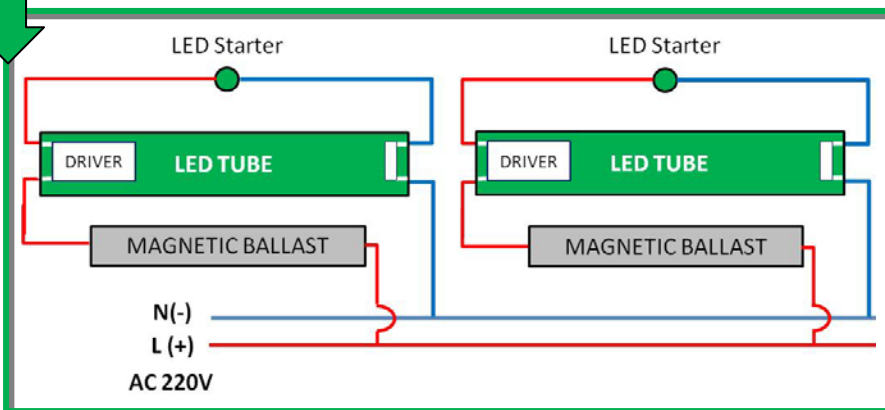
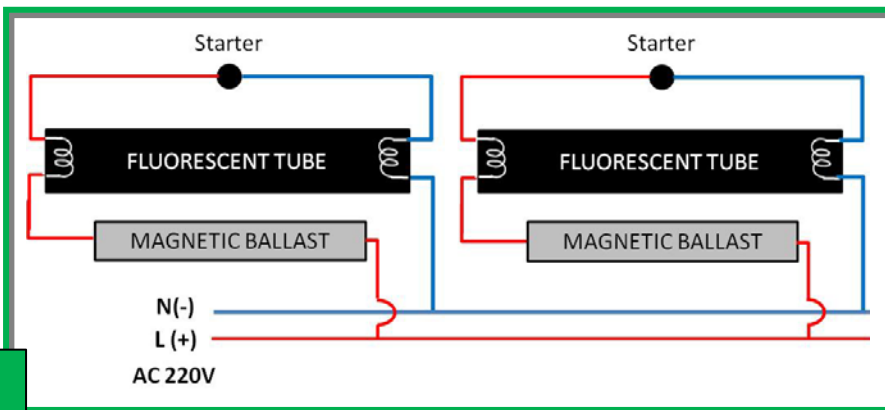
- No wiring change is required, only the starter must be replaced with the safety starter provided



If the luminaire contains a compensating capacitor, please ensure it is removed from the circuit

## Wiring Example of a **double circuit luminaire with magnetic or low loss ballast**

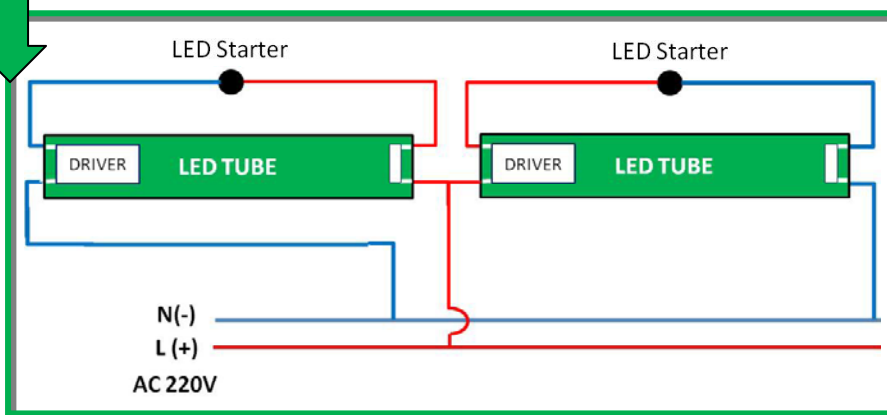
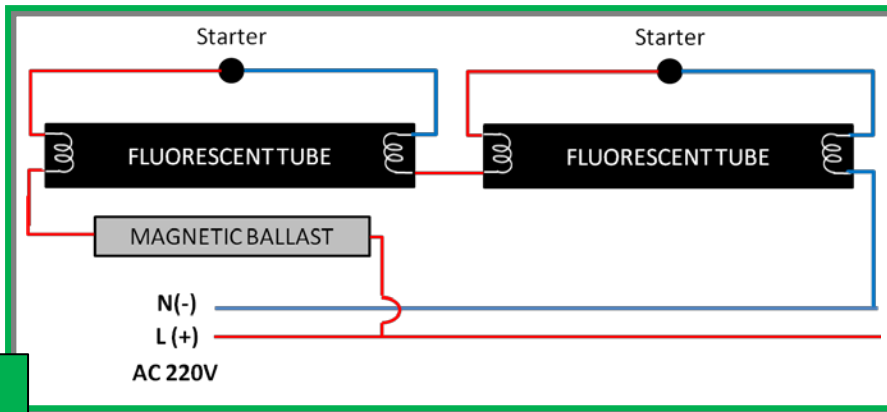
- No rewiring change is required, only the starter must be replaced with the safety starter provided



If the luminaire contains a compensating capacitor, please ensure it is removed from the circuit

## Wiring Example of a tandem circuit luminaire with magnetic or low loss ballast

- A wiring change is required and the starter must be replaced with the safety starter provided

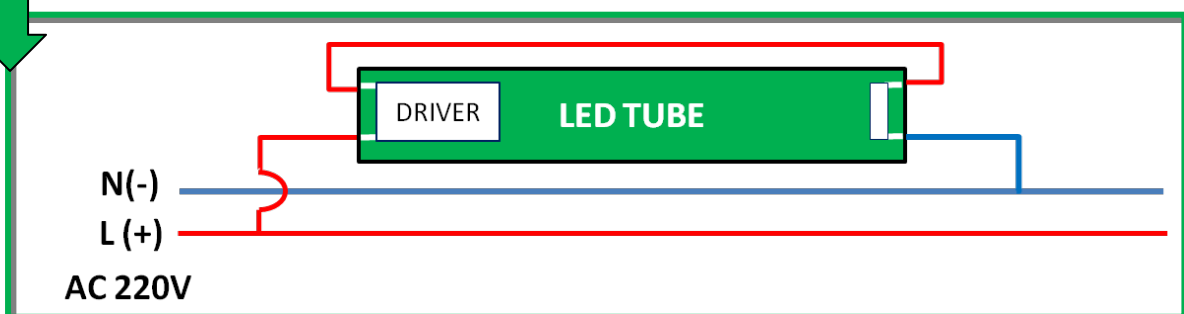
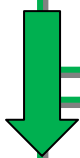
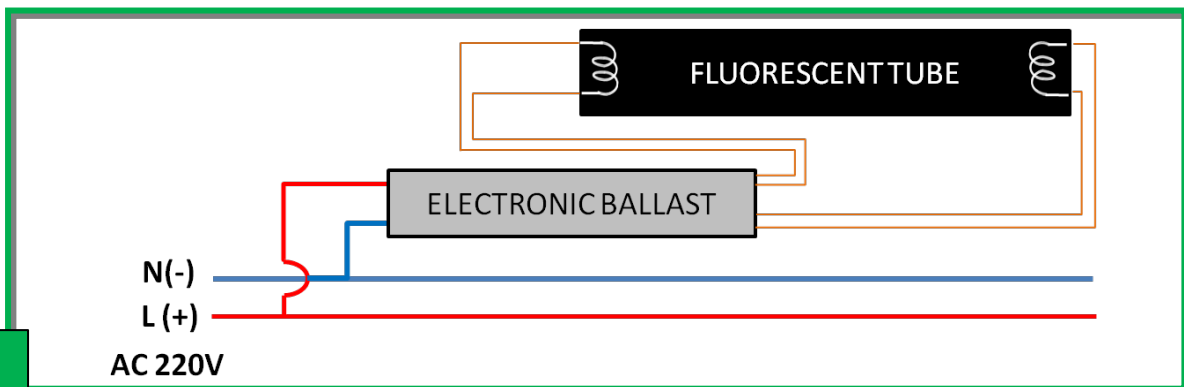


If the luminaire contains a compensating capacitor, please ensure it is removed from the circuit

Please ensure a marking is placed on the luminaire stating this unit is converted FOR LED TUBE ONLY

## Wiring Example of a luminaire with electronic ballast

- A wiring change is required but no safety starter is required
- For twin lamps, rewire each lamp holder



Please ensure a marking is placed on the luminaire stating this unit is converted FOR LED TUBE ONLY

## Terms & Conditions

- Sylvania ToLEDo tubes are designed for use on magnetic gear systems and includes a safety starter
- Please read installation instructions very carefully
- Always switch off the power supply.
- This information is for guidance purposes only, Sylvania accepts no liability for any works undertaken to the luminaire.
- If a luminaire is altered, this work must be undertaken by a qualified electrician and must ensure the luminaire is suitably re-tested. Re-inspection of the luminaire is recommended after conversion according to known standards.
- Place appropriate stamp to luminaire indicating it has been converted
- Havells Sylvania disclaims liability for any direct, indirect or incidental damages in case of installation performed either not according to this guide, not performed by an electrician or in the event of conversion of the luminaire.
- Do not change the structure or any component of the ToLEDo tube to ensure safety
- Incorrect installation will cause product failure and other issues
- Keep this guide for future maintenance use
- Information is accurate at time of print
- E.&O.E.

## Applicable example label

### LED TUBE ONLY

This fixture has been modified for use only with LED tubes and can no longer operate the original, standard fluorescent lamp/lamps. Only Sylvania ToLEDo T8 LED Tube or similar LED linear solution with same specification can be used in this luminaire.

**SYLVANIA**

Havells Sylvania Europe Ltd  
Avis Way  
Newhaven, East Sussex  
UK

-----  
[www.havells-sylvania.com](http://www.havells-sylvania.com)

Document date: April 2013 v1