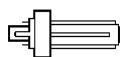


MARLIN MINI STERLING BOLLARD



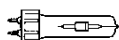
MARLIN MINI STERLING BOLLARD

For 18W TCT lamp GX24d-2



SBMCD18 - SBMCF18 - SBMLD18 - SBMLF18

For 35W CDM-T lamp G12



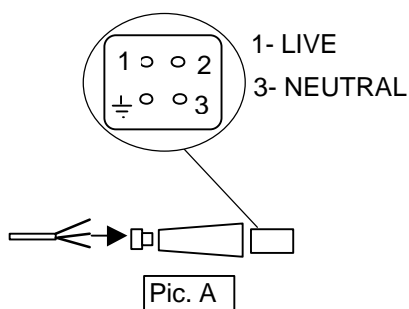
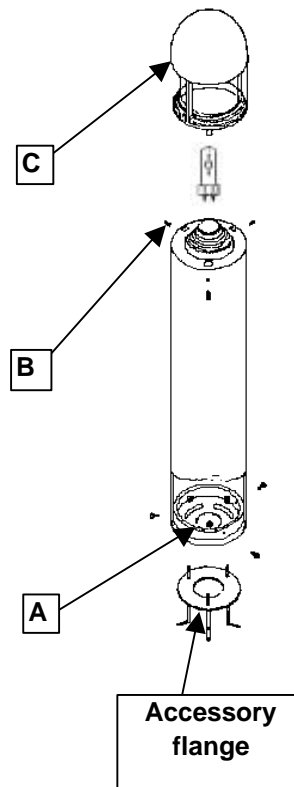
SBMCD35 - SBMCF35 - SBMLD35 - SBMLF35

TECHNICAL INFORMATION:

Bollard head in die-cast aluminium
Polycarbonate vandalproof diffuser
Stainless steel-screws
Silicon/dutral gasket
Pre-phosphochromation treatment
Powder paint with high corrosion resistance
Aluminium reflectors
Supplied with ballast and P.F.C. capacitor
Bollard in extruded aluminium
CLASS II IP65

INSTALLATION INSTRUCTIONS:

- Remove the base (A) from the bollard using the supplied 5mm key
- Fix the base to the pre-installed flange or directly to the floor, using appropriate screws (Attention: the supply cable must pass through one of the two lower holes in the base and through the bollard)
- Connect the supply cable to the power point connector (supplied) using the following sequence
1=LIVE 3=NEUTRAL (See pic. A)
- Connect the power point connector with the plug connector (pre-installed on the fitting)
- Reassemble the bollard to the base
- Remove the head of the fitting (C) using the supplied 3mm key by unscrewing screws (B)
- Fit the correct lamp
- Reassemble the head of the fitting (C) and tighten the screws (B)



RECOMMENDATIONS:

- Do not exceed the maximum wattage - see internal label
- Disconnect the supply before maintenance
- For easier assembling, the supply cable must be 0,5m long



The fitting is suitable for mounting on normal flammable surfaces

Installation should be carried out by a suitably qualified person in accordance with good electrical practice and the appropriate national wiring regulations

It is very important to follow these instructions to enable the fitting to be installed correctly. Please retain for information.

marlin
by SIMES